

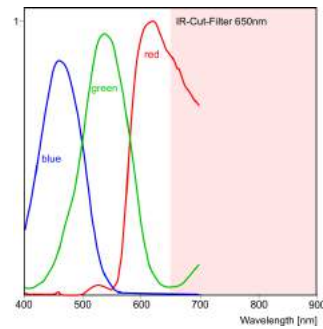
UI-6250RE-C-HQ PoE Rev.3



Specification

Sensor

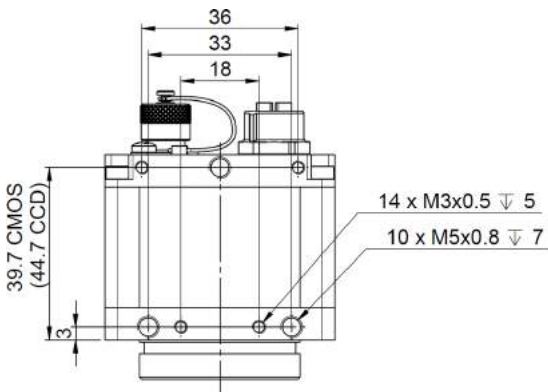
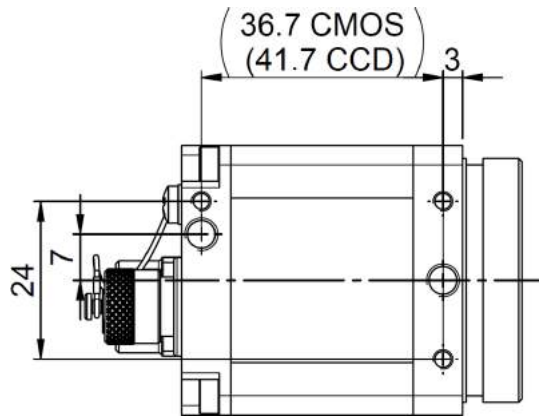
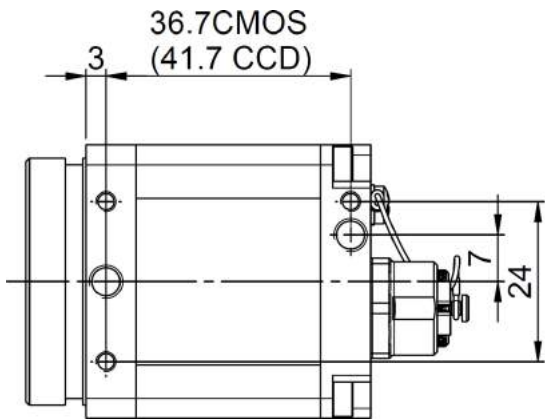
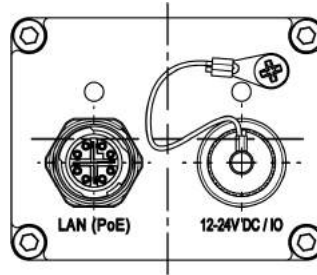
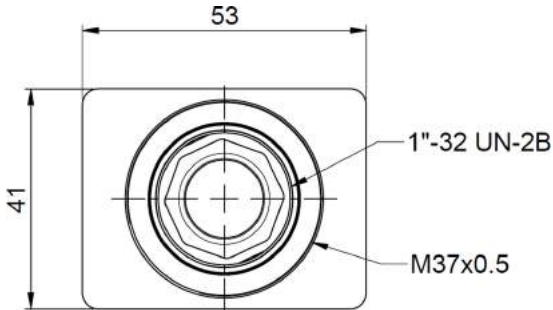
Sensor Technology	CCD Color
Manufacturer	Sony
Resolution (h x v)	1600 x 1200
Color depth (sensor)	12 bit
Color depth (camera)	12 bit
Pixel Class	2 MP
Sensor Size	1/1.8"
Shutter	Global shutter
max. fps in Freerun Mode	20.0
Binning Modes	Mono
Subsampling Modes	-
Sensor Model	ICX274AK
Pixel size	4.4 μm
Optical Size	7.040 mm x 5.280 mm



Design

Interface	GigE
Lens Mount	C-Mount
I/O In	1 x Opto
I/O Out	1 x Opto
I/O RS-232	-
I/O GPIO	2
I/O I2C	-
Protection Class	IP65/67
Dimensions H/W/L	41.0 mm x 53.0 mm x 44.7 mm
Mass	175 g
Power supply	12V - 24V or PoE

UI-6250RE-C-HQ PoE Rev.3



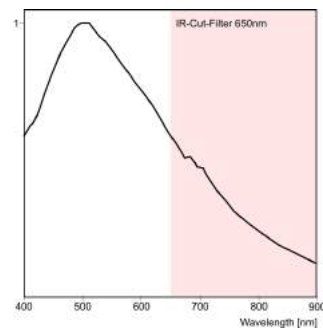
UI-6250RE-M-GL PoE Rev.3



Specification

Sensor

Sensor Technology	CCD Mono
Manufacturer	Sony
Resolution (h x v)	1600 x 1200
Color depth (sensor)	12 bit
Color depth (camera)	12 bit
Pixel Class	2 MP
Sensor Size	1/1.8"
Shutter	Global shutter
max. fps in Freerun Mode	20.0
Binning Modes	Mono
Subsampling Modes	-
Sensor Model	ICX274AL
Pixel size	4.4 μm
Optical Size	7.040 mm x 5.280 mm



Design

Interface	GigE
Lens Mount	C-Mount
I/O In	1 x Opto
I/O Out	1 x Opto
I/O RS-232	-
I/O GPIO	2
I/O I2C	-
Protection Class	IP65/67
Dimensions H/W/L	41.0 mm x 53.0 mm x 44.7 mm
Mass	175 g
Power supply	12V - 24V or PoE

UI-6250RE-M-GL PoE Rev.3

