

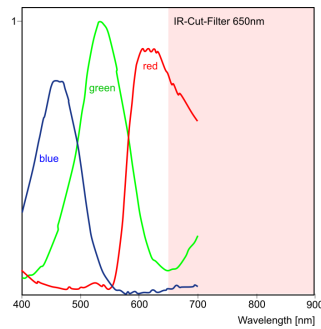
UI-6280RE-C-HQ PoE Rev.3



Specification

Sensor

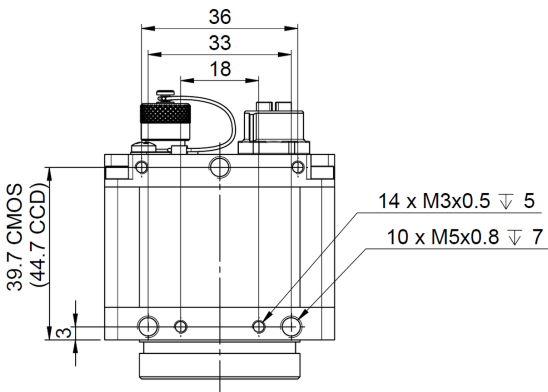
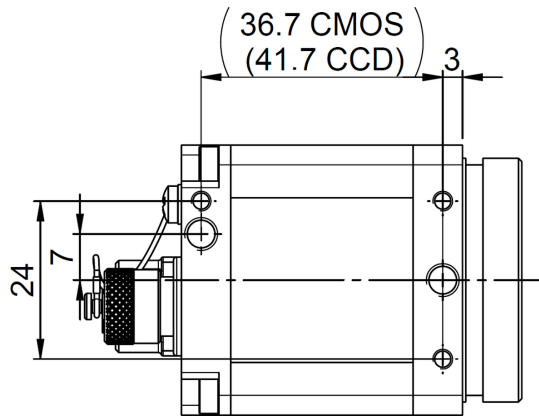
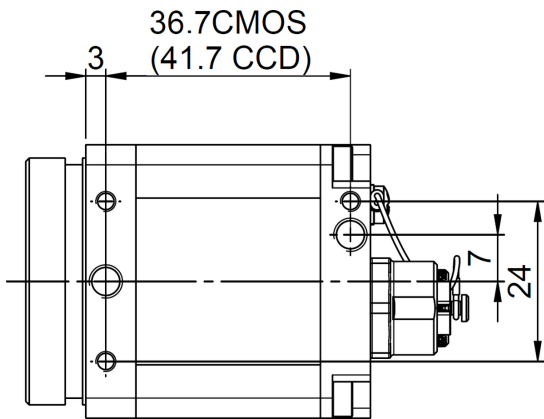
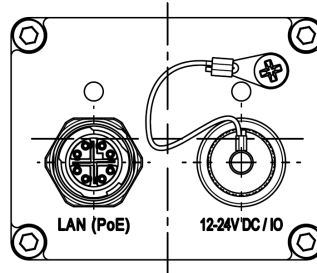
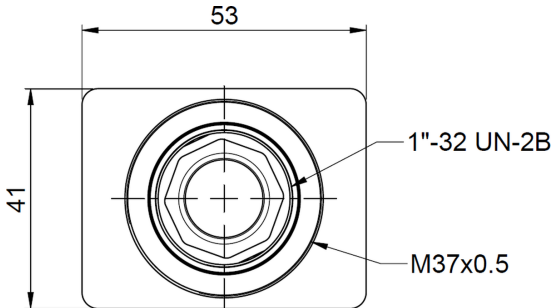
Sensor Technology	CCD Color
Manufacturer	Sony
Resolution (h x v)	2448 x 2048
Color depth (sensor)	12 bit
Color depth (camera)	12 bit
Pixel Class	5 MP
Sensor Size	2/3"
Shutter	Global shutter
max. fps in Freerun Mode	8.5
Binning Modes	Mono
Subsampling Modes	-
Sensor Model	ICX655AQA
Pixel size	3.45 μm
Optical Size	8.446 mm x 7.066 mm



Design

Interface	GigE
Lens Mount	C-Mount
I/O In	1 x Opto
I/O Out	1 x Opto
I/O RS-232	-
I/O GPIO	2
I/O I2C	-
Protection Class	IP65/67
Dimensions H/W/L	41.0 mm x 53.0 mm x 44.7 mm
Mass	175 g
Power supply	12V - 24V or PoE

UI-6280RE-C-HQ PoE Rev.3



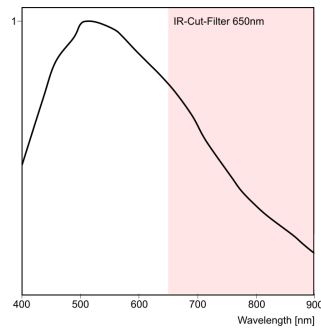
UI-6280RE-M-GL Rev.3



Specification

Sensor

Sensor Technology	CCD Mono
Manufacturer	Sony
Resolution (h x v)	2448 x 2048
Color depth (sensor)	12 bit
Color depth (camera)	12 bit
Pixel Class	5 MP
Sensor Size	2/3"
Shutter	Global shutter
max. fps in Freerun Mode	8.5
Binning Modes	Mono
Subsampling Modes	-
Sensor Model	ICX655ALA
Pixel size	3.45 μm
Optical Size	8.446 mm x 7.066 mm



Design

Interface	GigE
Lens Mount	C-Mount
I/O In	1 x Opto
I/O Out	1 x Opto
I/O RS-232	-
I/O GPIO	-
I/O I2C	-
Protection Class	IP65/67
Dimensions H/W/L	41.0 mm x 53.0 mm x 47.7 mm
Mass	195 g
Power supply	12V - 24V

UI-6280RE-M-GL Rev.3

