

UI-1460RE-C-HQ



Specification

Sensor

Sensor Technology	CMOS Color
Manufacturer	Aptina
Resolution (MPix)	3.15
Resolution (h x v)	2048 x 1536
ADC	10 bit
Color depth (camera)	8 bit
Pixel Class	QXGA
Sensor Size	1/2
Shutter	Rolling shutter
max. fps in Freerun Mode	11.2
Binning Modes	Color
Subsampling Modes	Color
Sensor Model	MT9T001
Pixel size	3.2 μ m
Optical Size	6.554 mm x 4.915 mm
Optical sensor diagonal	8.19 mm (1/1.95")

Design

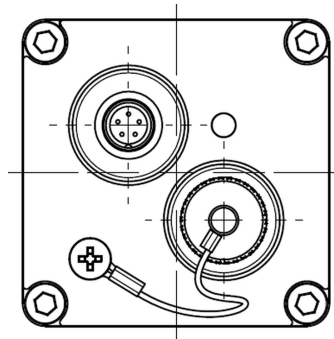
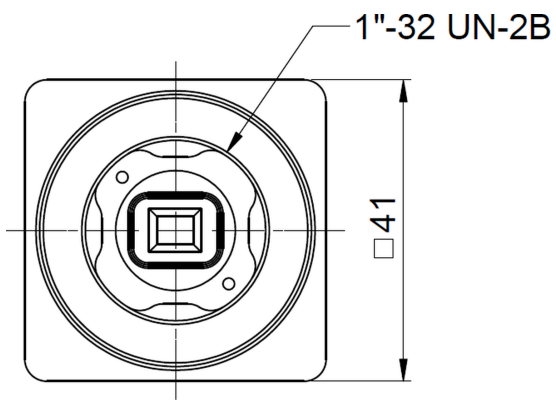
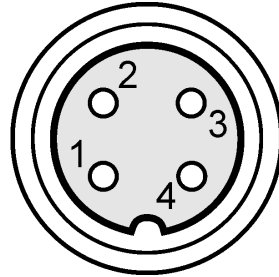
Interface	USB 2
Lens Mount	C-Mount
I/O In	1 x optodecoupled
I/O Out	1 x optodecoupled
I/O RS-232	-
I/O GPIO	-
I/O I ² C	-
IP code	IP65/67
Dimensions H/W/L	41.0 mm x 41.0 mm x 40.5 mm
Mass	140 g
Power supply	USB Cable

Subject to technical modifications

UI-1460RE-C-HQ

Pin assignment I/O connector

1	Digital input (+)
2	Digital input (-)
3	Digital output (-)
4	Digital output (+)



UI-1460RE-C-HQ

