

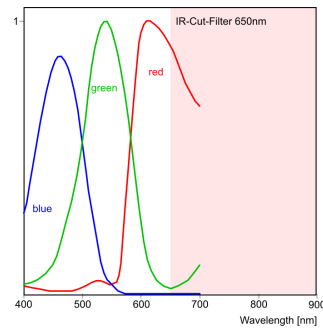
UI-2240RE-C-HQ



Specification

Sensor

Sensor Technology	CCD Color
Manufacturer	Sony
Resolution (h x v)	1280 x 1024
Color depth (sensor)	12 bit
Color depth (camera)	8 bit
Pixel Class	1.x MP
Sensor Size	1/2"
Shutter	Global shutter
max. fps in Freerun Mode	15.0
Binning Modes	Mono
Subsampling Modes	Color
Sensor Model	ICX205AK
Pixel size	4.65 μm
Optical Size	5.952 mm x 4.762 mm



Design

Interface	USB 2
Lens Mount	C-Mount
I/O In	1 x Opto
I/O Out	1 x Opto
I/O RS-232	-
I/O GPIO	-
I/O I2C	-
Protection Class	IP65/67
Dimensions H/W/L	41.0 mm x 41.0 mm x 55.5 mm
Mass	175 g
Power supply	USB Cable

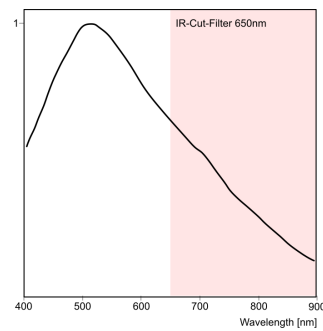
UI-2240RE-M-GL



Specification

Sensor

Sensor Technology	CCD Mono
Manufacturer	Sony
Resolution (MPix)	1.31
Resolution (h x v)	1280 x 1024
ADC	12 bit
Color depth (camera)	8 bit
Pixel Class	SXGA
Sensor Size	1/2
Shutter	Global shutter
max. fps in Freerun Mode	15.0
Binning Modes	Mono
Subsampling Modes	Color
Sensor Model	ICX205AL
Pixel size	4.65 µm
Optical Size	5.952 mm x 4.762 mm
Optical sensor diagonal	7.62 mm (1/2.1")



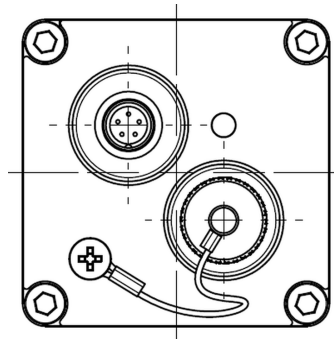
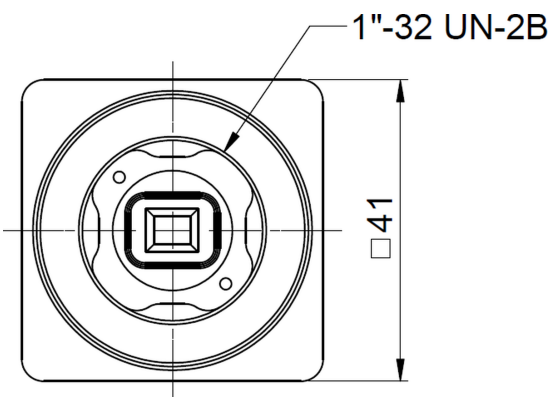
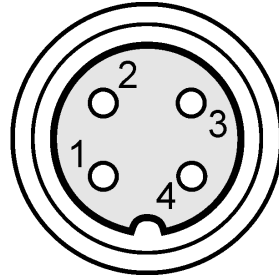
Design

Interface	USB 2
Lens Mount	C-Mount
I/O In	1 x optodecoupled
I/O Out	1 x optodecoupled
I/O RS-232	-
I/O GPIO	-
I/O I ² C	-
IP code	IP65/67
Dimensions H/W/L	41.0 mm x 41.0 mm x 55.5 mm
Mass	175 g
Power supply	USB Cable

Subject to technical modifications

Pin assignment I/O connector

1	Digital input (+)
2	Digital input (-)
3	Digital output (-)
4	Digital output (+)



UI-2240RE-M-GL / UI-2240RE-C-HQ

