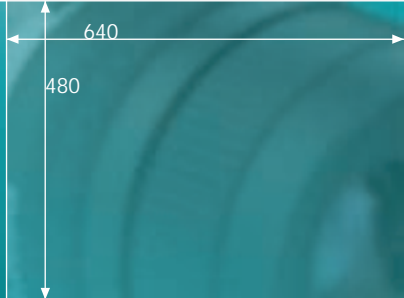




iDS



USB uEye[®] UI-2310SE-C/M

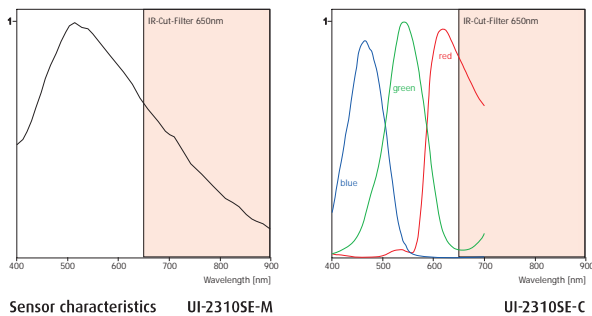
VGA Camera with 1/4" CCD Sensor

USB uEye® UI-2310SE-M/UI-2310SE-C



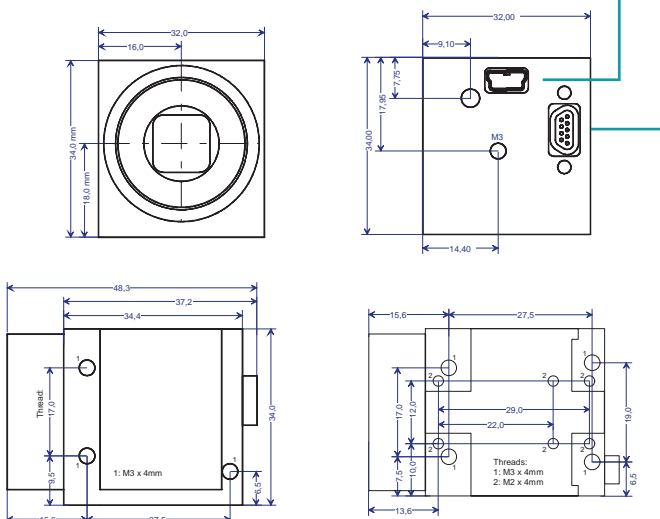
The USB uEye® SE Family

The USB uEye® SE stands for a family of extremely compact, low-cost cameras for professional use in automation, quality assurance, security technology and non-industrial applications. Through the use of the widespread USB technology, the cameras can be interfaced with a vast variety of systems without any problems.



Screw-mounted Micro Sub-D connector for USB, Trigger and Digital-Out

Conventional USB Mini-B connector



Dimensions: uEye® CCD models

The characteristics at a glance

Interface	USB 2.0
Sensor Technology	CCD (Sony)
Model description (color)	UI-2310SE-C
Model description (Mono)	UI-2310SE-M
Resolution (h x v)	640 x 480
Resolution Category / Pixel Class	VGA
Sensor size	1/4"
Shutter	Global
max. fps in Freerun Mode at full resolution	75 fps
max. fps in SW Trigger Mode at 1 ms exposure	70 fps
Exposuretime in Freerun Mode	39 µs - 638 ms
Exposuretime in Trigger Mode	39 µs - 10 min
AOI Modes	H + V ²
AOI with 320 x 240 Pixels (CIF)	122 fps
Subsampling Modes	-
Subsampling Factors	-
Resolution, fps	-
Binning Modes	V ²
Binning Method	V: Summing
Binning Factors	2x, 3x, 4x
Resolution, fps	1600 x 600, 24 fps
Mono: Maximum Gain	12,2x
Color: Maximum Gain RGB/Master	4x /7,3x
Additional Gain Boost with Factor	2x (Mono)
Sensor Model	ICX098
Pixelpitch in µm	5,6
Optical Size	3,58 x 2,69 mm
Aspect Ratio	4:3
Exact Real Diagonal	4,5 mm, 1/3,6"

In scope of delivery:

Powerful, easy to handle uEye SDK
 uEye Demo and Programexamples executable and Source Code.
 uEye Camera Manager
 TWAIN, Active-X and Direct Show (WDM) drivers
 Interfaces for Activision Tools, Common Vision Blox, HALCON, LabVIEW and Neurocheck
 GenICam™ Interface

² = Use increases frame rate

Driver for Windows 2000, XP, VISTA and Linux