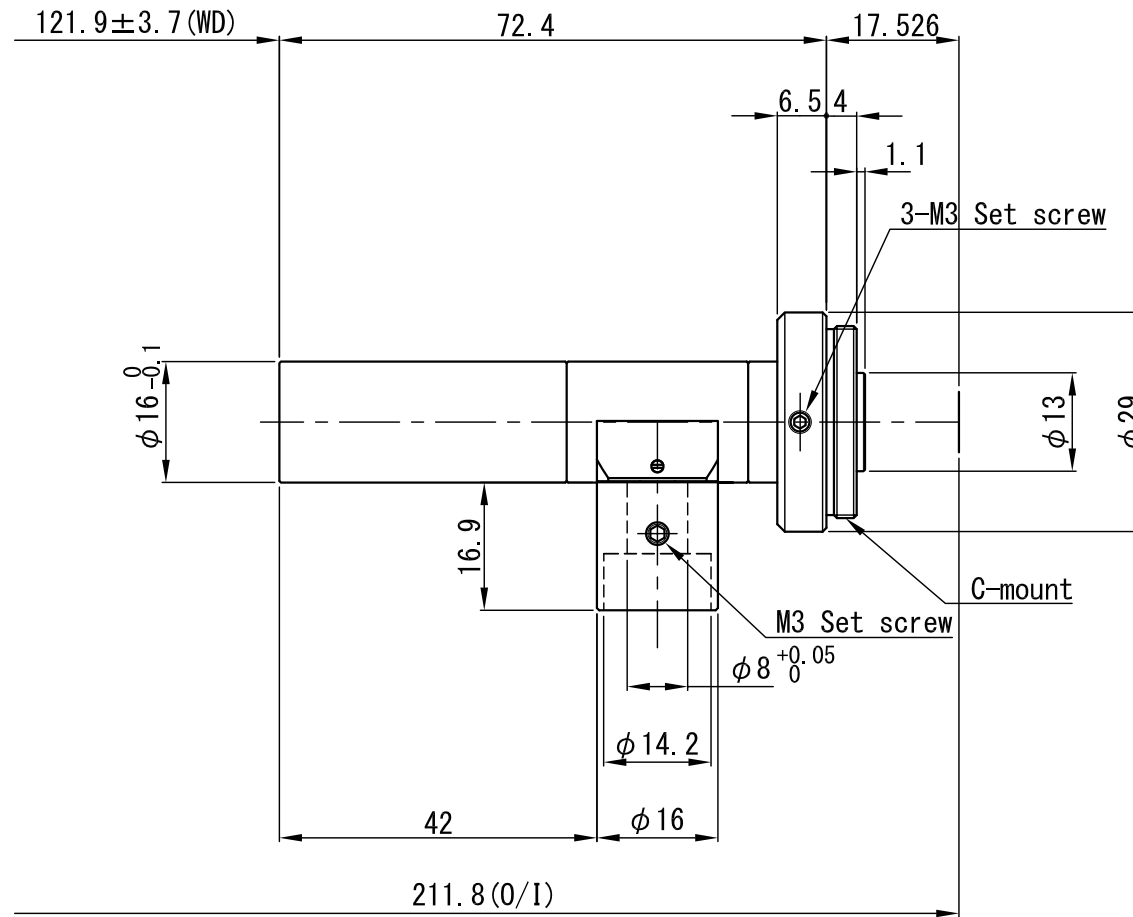


Standard Telecentric Lens

Model		APT08-120C			
Optical Mag.		× 0.8 ± 5 %			
FOV (V x H)	2/3"	-			
	1/2"	6.0	×	8.0	mm
	1/3"	4.5	×	6.0	mm
WD		121.9 mm ± 3.7			
O/I (Object & Imager Distance)		211.8 mm			
Working F/#		17.5			
NA		0.023			
DOF at PCoC ϕ 0.04mm		2.2 mm			
TV Distortion (1/2")		0.02 %			
Wavelength		Visible			
Mount		C-Mount			
Flange Back		17.526 mm			
Sensor Size (max.)		1/2"			
Co-Axial Prism		Built-in			
Weight (approx.)		40 g			
Dimension		ϕ 29 (max.)	×	L =	72.4 mm



△				APPROVED	CHECKED	MATERIAL 材料	-	CHAMFER 一般面取	-	QUANTITY 個数			
△				T. A.	T. A.	TREATMENT 処理	-	FINISHING 仕上	-	-			
△						TREATMENT CONTACT 処理接点	-	DECENTRATION 偏芯	-				
△				DESIGNED	DRAWN	OVER 250 UP TO 1000	±0.3	±0.5	±1.0	±0.2			
△				T. A.	S. K.	OVER 63 UP TO 250	±0.2	±0.3	±0.6	±0.15			
△						OVER 16 UP TO 63	±0.1	±0.2	±0.4	±0.1			
△						OVER 0 UP TO 16	±0.05	±0.1	±0.2	±0.1			
	DATE	EXCH NO.	REVISION 変更記事			TOLERANCES	A	B	C	S			
						UNIT (mm)	-				ANGLE 角度	METHOD 図法	REMARK 適用 (機種名)
						SCALE	1 / 1				NAME	APT08-120C	
						DATE	'14.03.12				DRAW NO.	01DTC0543A1	