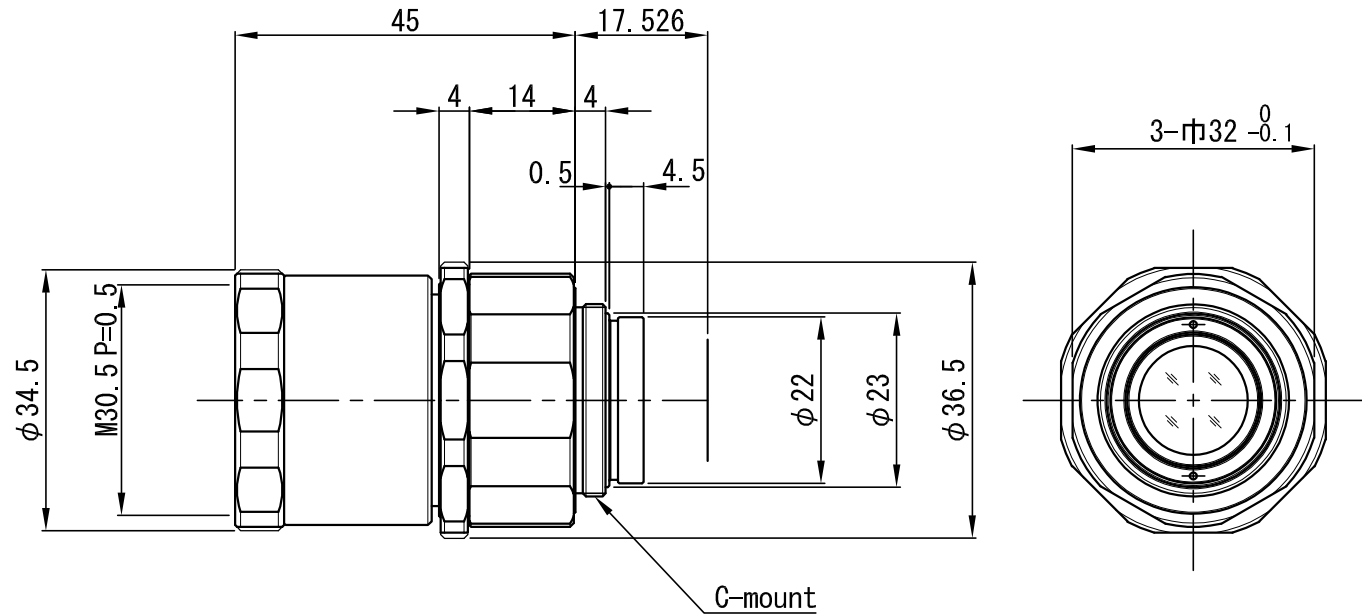


VS-MC16H1

Model	VS-MC16H1
Focal Length (f)	16 mm
Maximum Aperture ratio	1: 1.4
Angle of View (1")	38.6° × 38.6 (Diagonal:53.5°)
M.O.D	300 mm
TV Distortion (1")	-0.65 %
Operation	Manual
Wavelength	Visible
Camera mount	C-mount
Flange Back	17.526 mm
Sensor size (max.)	1"
Filter Thread	M 30.5 P= 0.5
Weight (approx.)	100 g
Dimension	Φ 38 (MAX) ×L = 45 mm



△×				APPROVED	CHECKED	MATERIAL 材料	-	CHAMFER 一般面取	-	QUANTITY 個数	
△×				T. A.	T. A.	TREATMENT 処理	-	FINISHING 仕上	-	X	
△×						TREATMENT CONTACT 処理接点	-	DECENTRATION 偏芯	-		
△×				DESIGNED	DRAWN	OVER 250 UP TO 1000	±0.3 ±0.5 ±1.0 ±0.2	ANGLE 角度	METHOD 図法	REMARK 適用 (機種名)	
△×				T. T.	T. T.	OVER 63 UP TO 250	±0.2 ±0.3 ±0.6 ±0.15	UNIT (mm)		VS-MC16H1	
△×						OVER 16 UP TO 63	±0.1 ±0.2 ±0.4 ±0.1				SCALE
NO. × 箇所	REVISION 訂正事項	DATE	NAME			TOLERANCES	A B C S	DATE	18.07.30	DRAW NO.	01D1M1C0401A1