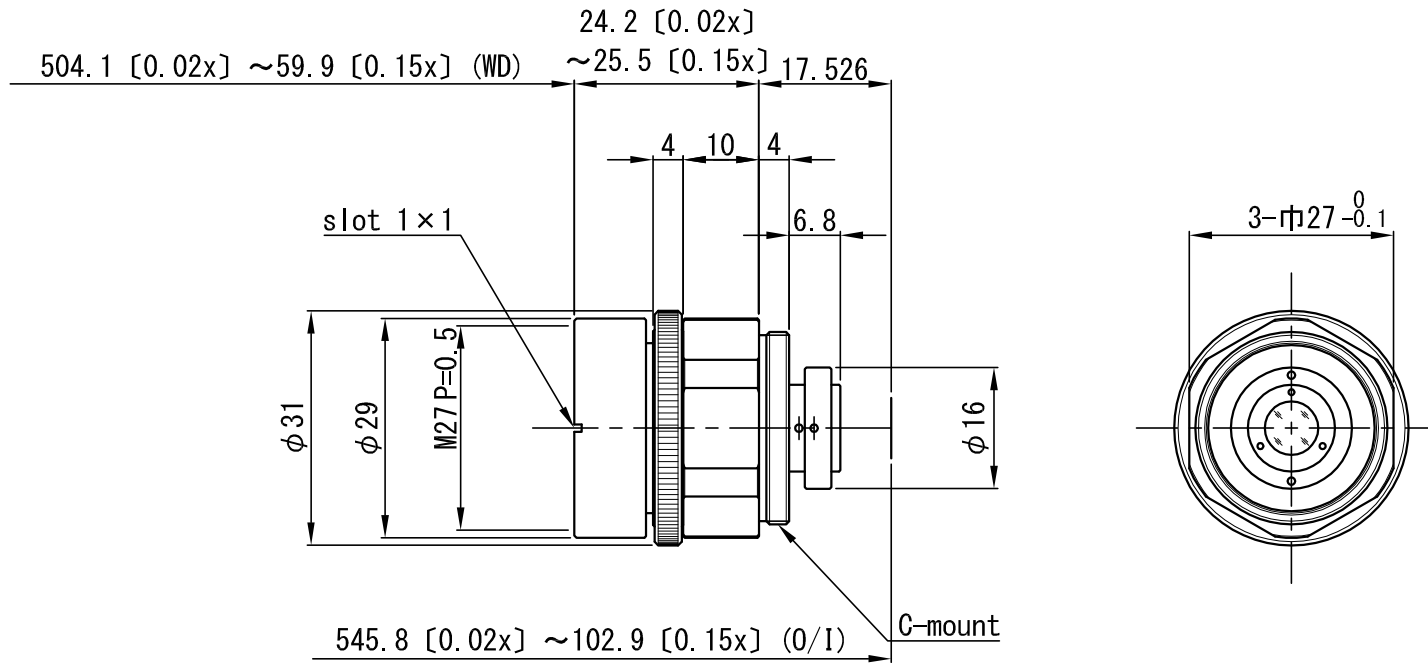


Vibration Resistant Distortionless Lens

Model		VS-MCA10								
Focal Length(f)		10 mm (10.25)								
Maximum Aperture Ratio		1: 2.2								
Optical Mag. Range		(∞) × 0.02 ~ × 0.15								
Optical Mag.		× 0.02		× 0.1			× 0.15			
FOV (V x H)	2/3"	-								
	1/2"	240.0 × 320.0 mm		48.0 × 64.0 mm			32.0 × 42.7 mm			
	1/3"	180.0 × 240.0 mm		36.0 × 48.0 mm			24.0 × 32.0 mm			
WD		504.1 mm		94.0 mm			59.9 mm			
O/I (Object & Imager Distance)		545.8 mm		136.5 mm			102.9 mm			
Aperture		2	5.6	8	2	5.6	8	2	5.6	8
Working F/#		2.3	5.7	8.2	2.4	6.2	8.8	2.6	6.4	9.2
TV Distortion (1/2")		0.04 %		-0.04 %			-0.07 %			
Operation		Manual								
Wavelength		Visible								
Mount		C-Mount								
Flange Back		17.526 mm								
Sensor Size (max.)		1/2"								
Filter Thread		M 27 P= 0.5								
Weight (approx.)		40 g								
Dimension		ϕ 31 (max.) × L = 24.2 (X0.02) ~ 25.5 (X0.15) mm								

※ Note: Available with MC Focus Locking System, FNO (Iris Open) 5.6 & 8



△×				APPROVED	CHECKED	MATERIAL 材料	-	CHAMFER 一般面取	-	QUANTITY 個数	
△×				T. A.	T. A.	TREATMENT 処理	-	FINISHING 仕上	-	-	
△×						TREATMENT CONTACT 処理接点	-	DECENTRATION 偏芯	-		
△×				DESIGNED	DRAWN	OVER 250 UP TO 1000 ±0.3 ±0.5 ±1.0 ±0.2	UNIT (mm)	ANGLE 角度	METHOD 図法	REMARK 適用 (機種名)	
△×						OVER 63 UP TO 250 ±0.2 ±0.3 ±0.6 ±0.15		-		V S - M C A 1 0	
△×				T. A.	T. T.	OVER 16 UP TO 63 ±0.1 ±0.2 ±0.4 ±0.1		SCALE	1 / 1	NAME	外觀圖
△×						TOLERANCES		A B C S	DATE	17.06.05	DRAW NO.
NO. × 箇所	REVISION 訂正事項	DATE	NAME								