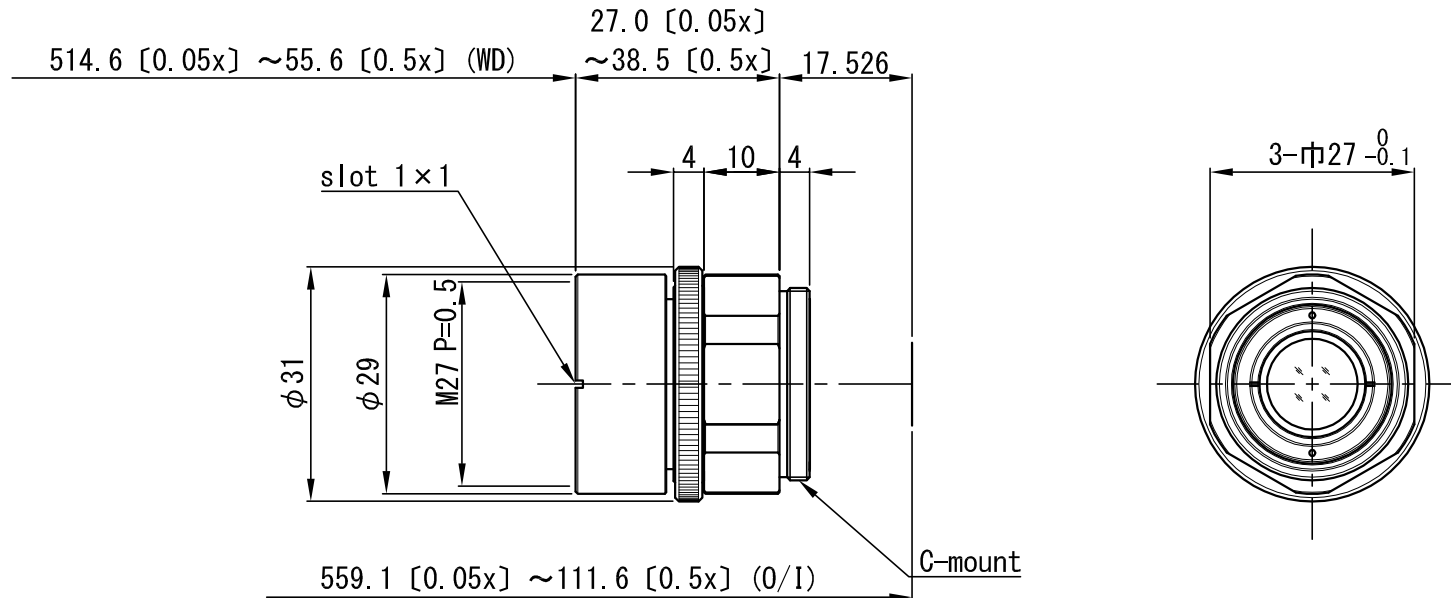


Vibration Resistant Distortionless Lens

Model		VS-MCA25								
Focal Length(f)		25 mm (25.50)								
Maximum Aperture Ratio		1: 2.0								
Optical Mag. Range		× 0.05 ~ × 0.5								
Optical Mag.		× 0.05		× 0.25			× 0.5			
FOV (V x H)	2/3"	142.0 × 168.0 mm		28.4 × 33.6 mm			14.2 × 16.8 mm			
	1/2"	96.0 × 128.0 mm		19.2 × 25.6 mm			9.6 × 12.8 mm			
	1/3"	72.0 × 96.0 mm		14.4 × 19.2 mm			7.2 × 9.6 mm			
WD		514.6 mm		106.6 mm			55.6 mm			
O/I (Object & Imager Distance)		559.1 mm		156.3 mm			111.6 mm			
Aperture		2	5.6	8	2	5.6	8	2	5.6	8
Working F/#		2.1	5.9	8.4	2.5	7.0	10.0	3.0	8.4	12.0
TV Distortion (2/3")		0.06 %		-0.06 %			-0.12 %			
Operation		Manual								
Wavelength		Visible								
Mount		C-Mount								
Flange Back		17.526 mm								
Sensor Size (max.)		2/3"								
Filter Thread		M 27 P= 0.5								
Weight (approx.)		38 g								
Dimension		ϕ 31 (max.) × L = 27 (X0.05) ~ 38.5 (X0.5) mm								

※ Note: Available with MC Focus Locking System, FNO (Iris Open) 5 .6 & 8



△×				APPROVED	CHECKED	MATERIAL 材料	-	CHAMFER 一般面取	-	QUANTITY 個数	
△×				T. A.	T. A.	TREATMENT 処理	-	FINISHING 仕上	-	-	
△×						TREATMENT CONTACT 処理接点	-	DECENTRATION 偏芯	-		
△×				DESIGNED	DRAWN	OVER 250 UP TO 1000	±0.3 ±0.5 ±1.0 ±0.2	ANGLE 角度	METHOD 図法	REMARK 適用 (機種名)	
△×				T. A.	T. T.	OVER 63 UP TO 250	±0.2 ±0.3 ±0.6 ±0.15	UNIT (mm)	-	VS-MCA25	
△×						OVER 16 UP TO 63	±0.1 ±0.2 ±0.4 ±0.1	SCALE	1 / 1		NAME
△×						OVER 0 UP TO 16	±0.05 ±0.1 ±0.2 ±0.1	DATE	17.03.10	DRAW NO.	01D MC 036 2A 1
NO. × 箇所	REVISION 訂正事項	DATE	NAME	TOLERANCES		A	B	C	S		