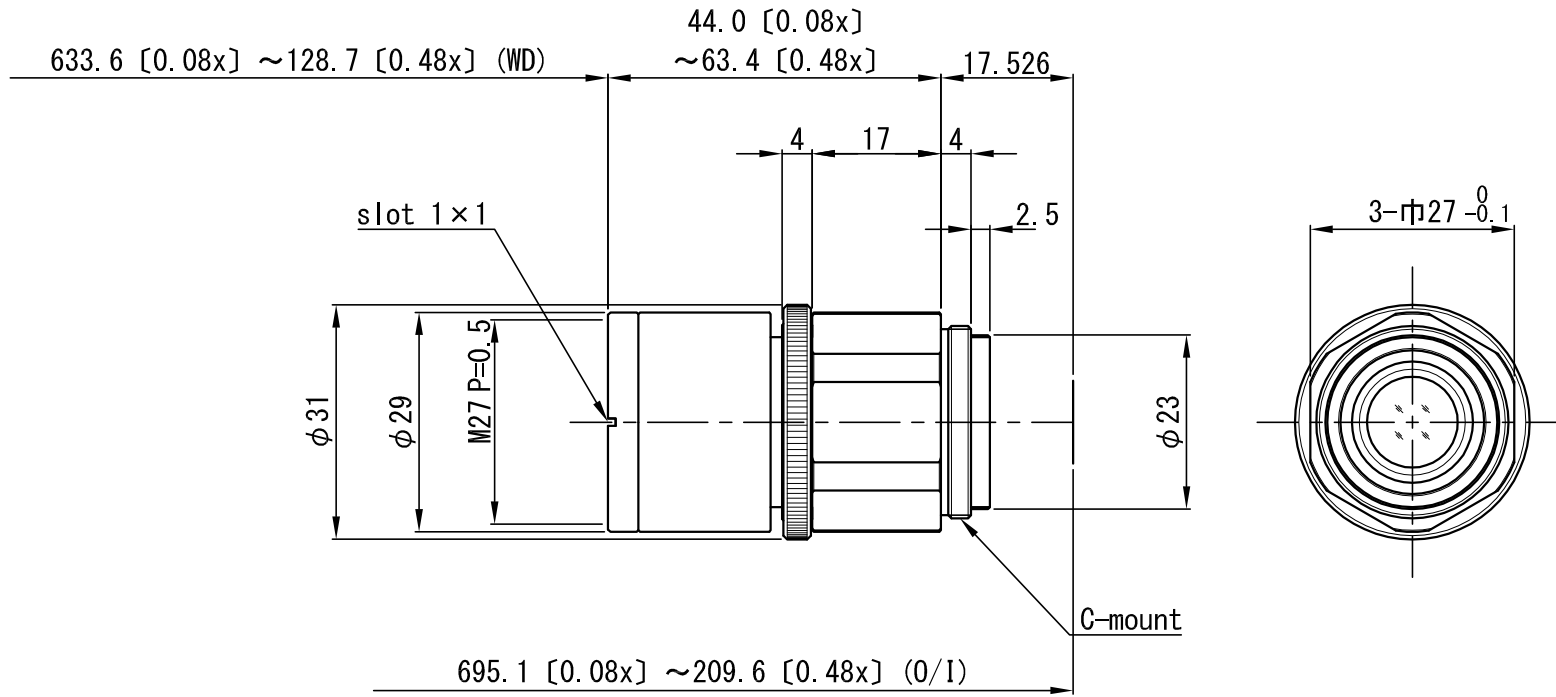


Vibration Resistant Distortionless Lens

Model		VS-MCA50								
Focal Length(f)		50 mm (48.48)								
Maximum Aperture Ratio		1: 2.5								
Optical Mag. Range		× 0.08 ~ × 0.48								
Optical Mag.		× 0.08		× 0.3			× 0.48			
FOV (V x H)	2/3"	88.8 × 105.0 mm		23.7 × 28.0 mm			14.8 × 17.5 mm			
	1/2"	60.0 × 80.0 mm		16.0 × 21.3 mm			10.0 × 13.3 mm			
	1/3"	45.0 × 60.0 mm		12.0 × 16.0 mm			7.5 × 10.0 mm			
WD		633.6 mm		189.3 mm			128.7 mm			
O/I (Object & Imager Distance)		695.1 mm		261.5 mm			209.6 mm			
Aperture		2.5	5.6	8	2.5	5.6	8	2.5	5.6	8
Working F/#		2.6	6.0	8.6	3.2	7.3	10.4	3.6	8.3	11.8
TV Distortion (2/3")		0.04 %		-0.01 %			-0.01 %			
Operation		Manual								
Wavelength		Visible								
Mount		C-Mount								
Flange Back		17.526 mm								
Sensor Size (max.)		2/3"								
Filter Thread		M 27 P= 0.5								
Weight (approx.)		60 g								
Dimension		ϕ 31 (max.) × L = 45 (X0.08) ~ 63.4 (X0.48) mm								

※ Note: Available with MC Focus Locking System, FNO (Iris Open) 5 .6 & 8



△×				APPROVED	CHECKED	MATERIAL 材料	—	CHAMFER 一般面取	—	QUANTITY 個数				
△×				T. A.	T. A.	TREATMENT 処理	—	FINISHING 仕上	—	—				
△×						TREATMENT CONTACT 処理接点	—	DECENTRATION 偏芯	—					
△×				DESIGNED	DRAWN	OVER 250 UP TO 1000	±0.3	±0.5	±1.0	±0.2	UNIT (mm)	ANGLE 角度	METHOD 図法	REMARK 適用 (機種名)
△×						OVER 63 UP TO 250	±0.2	±0.3	±0.6	±0.15		—		VS-MCA50
△×						OVER 16 UP TO 63	±0.1	±0.2	±0.4	±0.1	SCALE	1 / 1	NAME	
△×						T. A.	T. T.	OVER 0 UP TO 16	±0.05	±0.1	±0.2	±0.1	DATE	17.06.09
NO. × 箇所	REVISION 訂正事項	DATE	NAME			TOLERANCES	A	B	C	S				