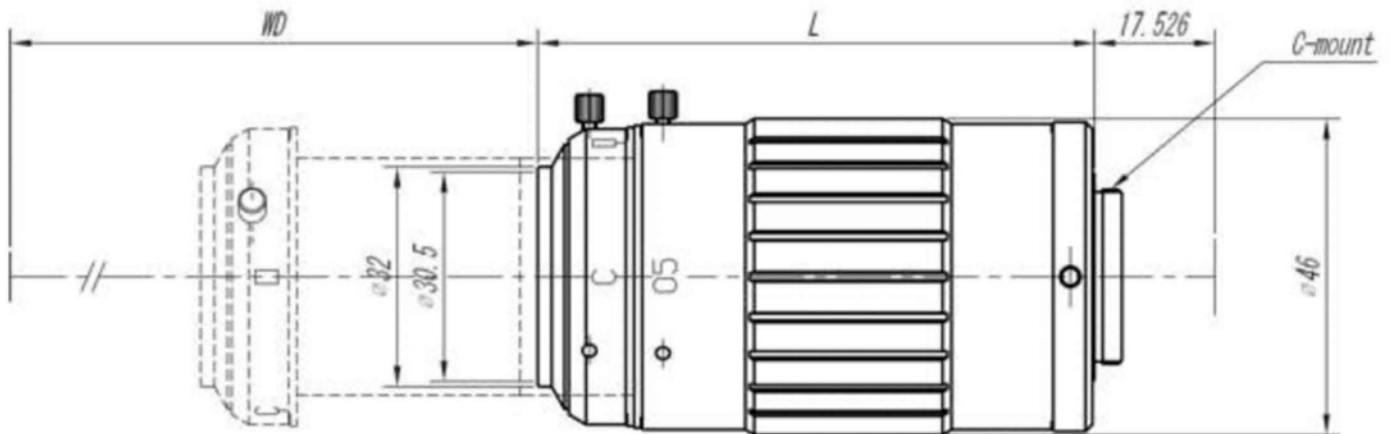


Variable Magnification Telecentric Lens

Model		VS-TEC0513		
Optical Mag. Range		× 0.5 ~ × 1.3		
Optical Mag.		× 0.5	× 1.0	× 1.3
FOV (V x H)	2/3"	14.2 × 16.8 mm	7.1 × 8.4 mm	5.5 × 6.5 mm
	1/2"	9.6 × 12.8 mm	4.8 × 6.4 mm	3.7 × 4.9 mm
	1/3"	7.2 × 9.6 mm	3.6 × 4.8 mm	2.8 × 3.7 mm
WD		171.7 mm	110.3 mm	95.9 mm
O/I (Object & Imager Distance)		270.2 mm	239.2 mm	243.5 mm
Working F/# *Value at Iris Open		5.3	8.3	10.2
NA		0.047	0.060	0.064
DOF at PCoC ϕ 0.04mm		1.7 mm	0.7 mm	0.5 mm
TV Distortion (2/3")		0.03 %	0.01 %	0.01 %
Relative Illuminance (Y=5.5)		98 %	99 %	99 %
Wavelength		Visible		
Mount		C-Mount		
Flange Back		17.526 mm		
Sensor Size (max.)		2/3"		
Filter Thread		M 30.5 P= 0.5		
Weight (approx.)		255 g		
Dimension		ϕ 46 (max.) × L = 81 (X0.5) ~ 130.1 (X1.3) mm		



倍率	WD	L
X0.5	171.7	81
X0.6	151.3	86.8
X0.7	136.7	92.9
X0.8	125.6	99.2
X0.9	117.1	105.3
X1.0	110.3	111.4
X1.1	104.6	117.6
X1.2	100	123.8
X1.3	95.9	130.1