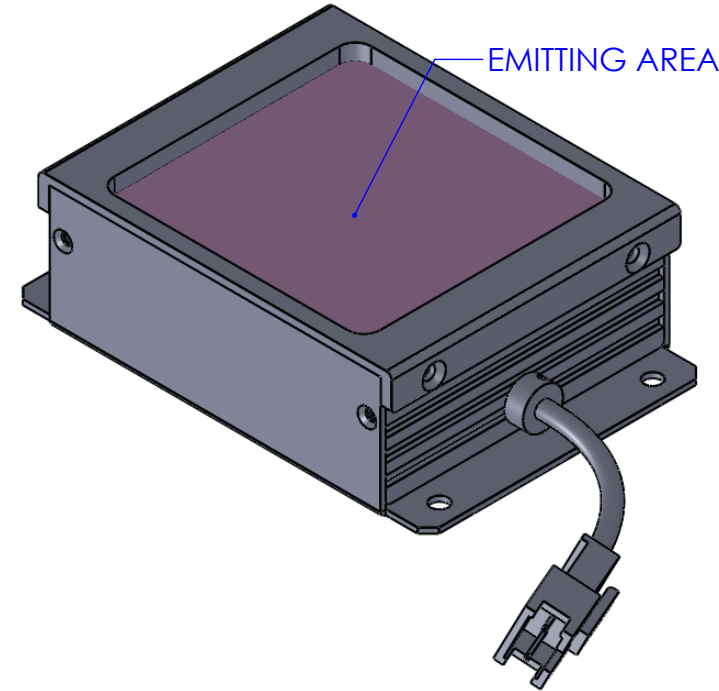
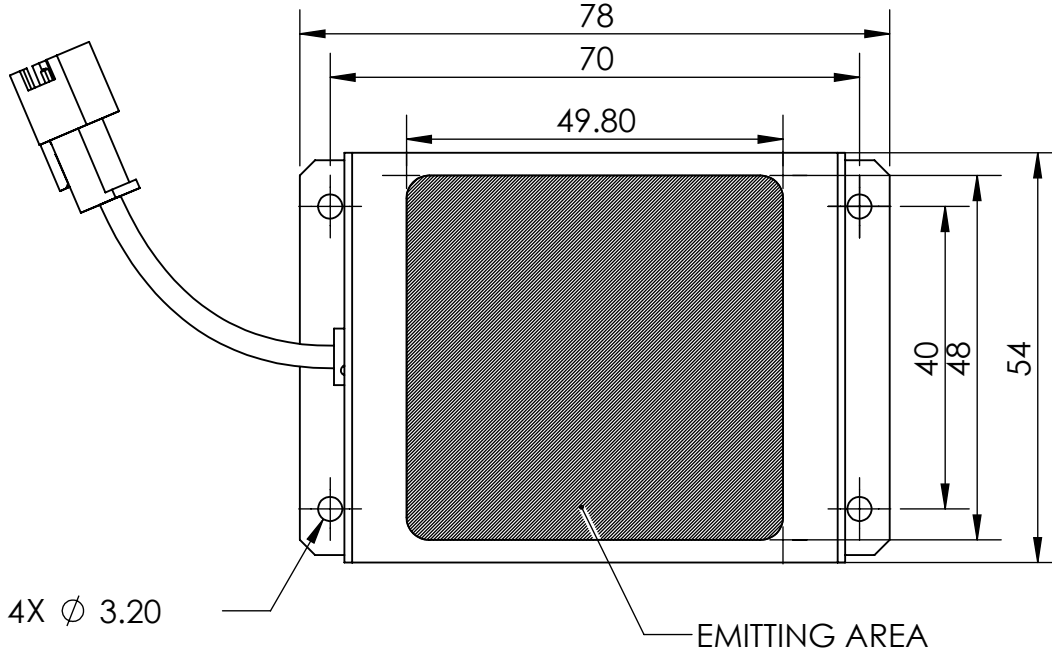


REVISIONS				
ZONE	REV.	DESCRIPTIONS	DATE	APP.

D



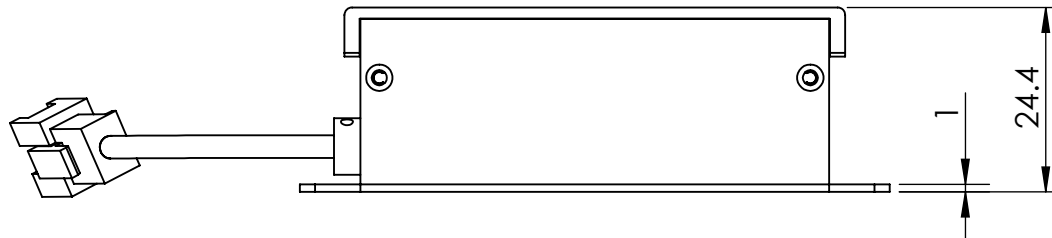
D

C

C

B

B



COLOR	WAVE LENGHT
RED:	620nm
GREEN:	525nm
BLUE:	470nm
WHITE:	--
IR 850:	850nm
IR 940:	940nm
UV:	380-385nm
RGB:	620nm/525nm/470nm

A

A

DESIGN BY	ST NG	UNIT: MM	PRODUCT SERIES: BKC SERIES				
CHECK BY	ST NG						
DATE	21/11/2014	REVISION:	TITLE	DRAWING LAYOUT	COLOUR:	-	-
MATERIAL	-	01	PART NO	BKC-050-X	VOLTAGE:	-	-
FINISHING	-	SCALE:	DWG NO	-	CURRENT:	-	-
QTY	-	1 : 1			POWER:	-	-
					SHEET 1 OF 1		