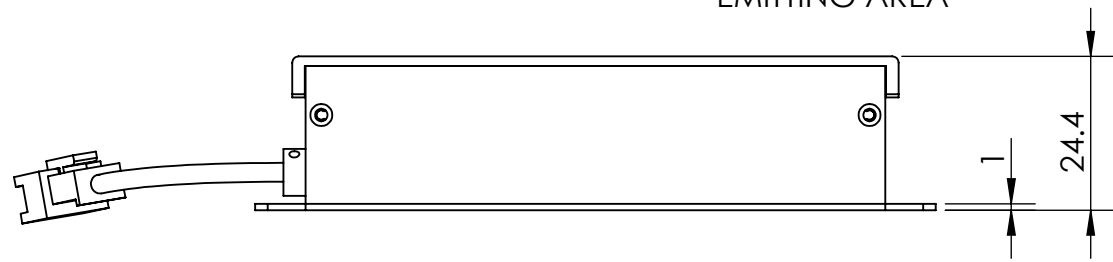
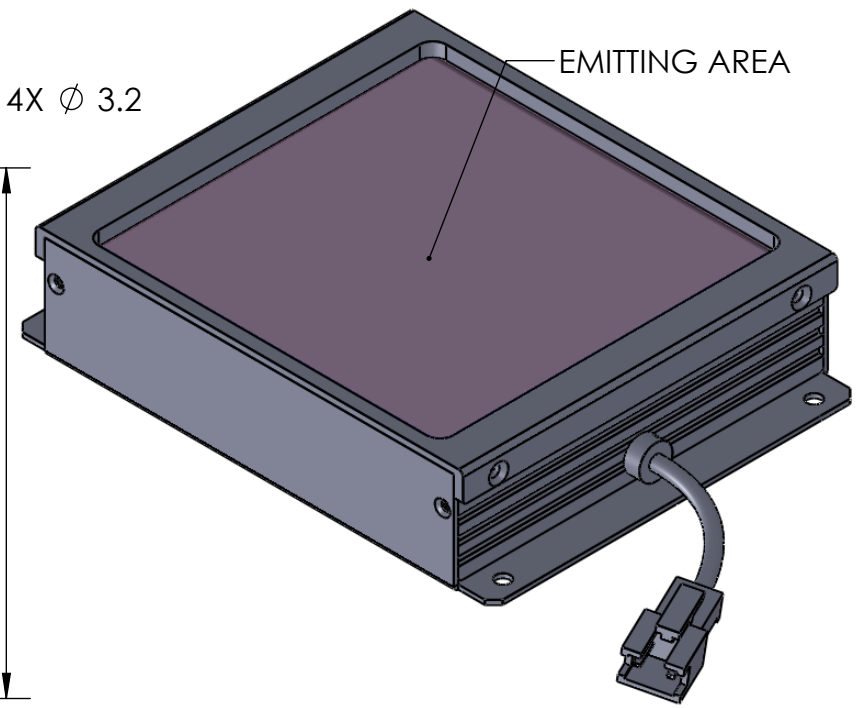
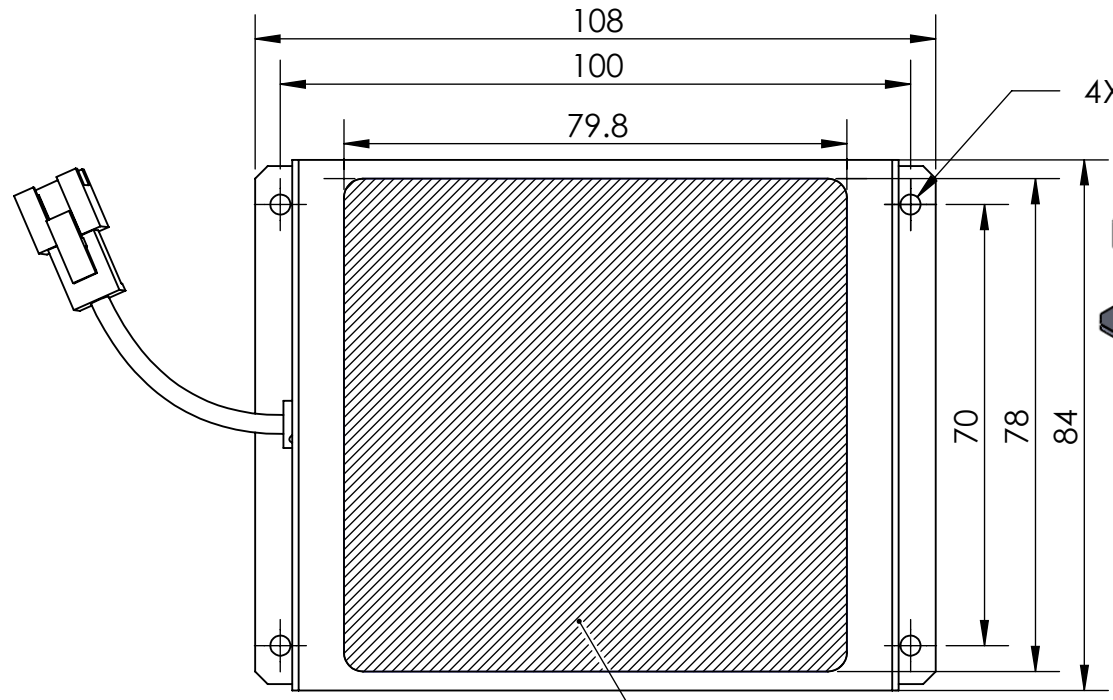


REVISIONS				
ZONE	REV.	DESCRIPTIONS	DATE	APP.



COLOR	WAVE LENGHT
RED:	620nm
GREEN:	525nm
BLUE:	470nm
WHITE:	--
IR 850:	850nm
IR 940:	940nm
UV:	380-385nm
RGB:	620nm/525nm/470nm

DESIGN BY	ST NG	UNIT: MM	<b>PRODUCT SERIES: BKC SERIES</b>				
CHECK BY	KB TAN						
DATE	8/12/2014	REVISION:	TITLE	DRAWING LAYOUT	COLOUR:	-	-
MATERIAL	-	01	PART NO	BKC-080-X	VOLTAGE:	-	-
FINISHING	-	SCALE:	DWG NO	-	CURRENT:	-	-
QTY	-	1 : 1.2			POWER:	-	-
					SHEET 1 OF 1		