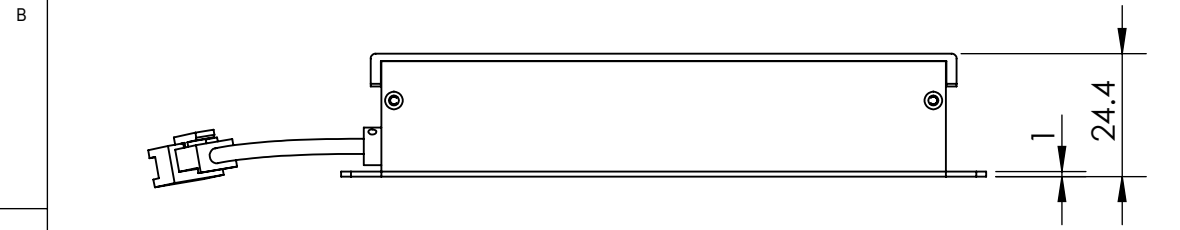
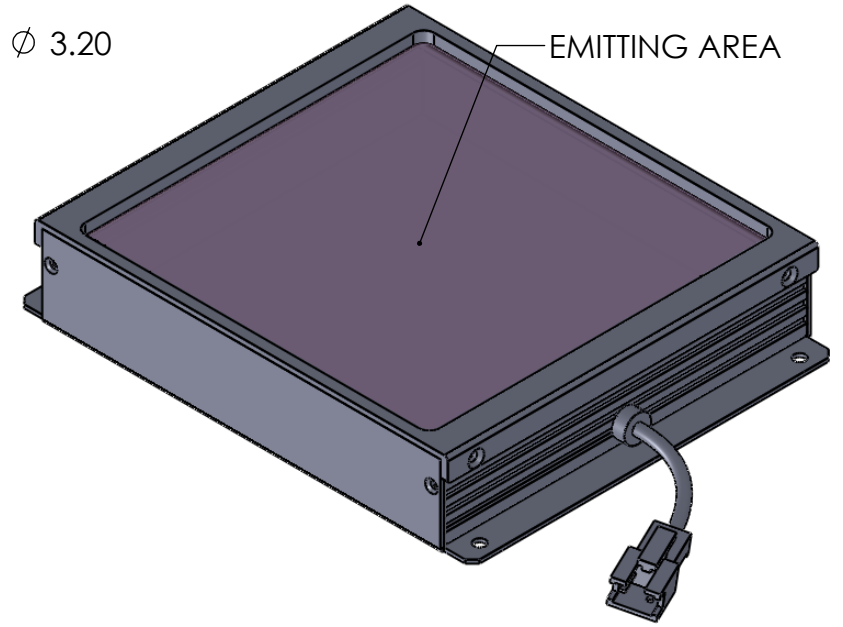
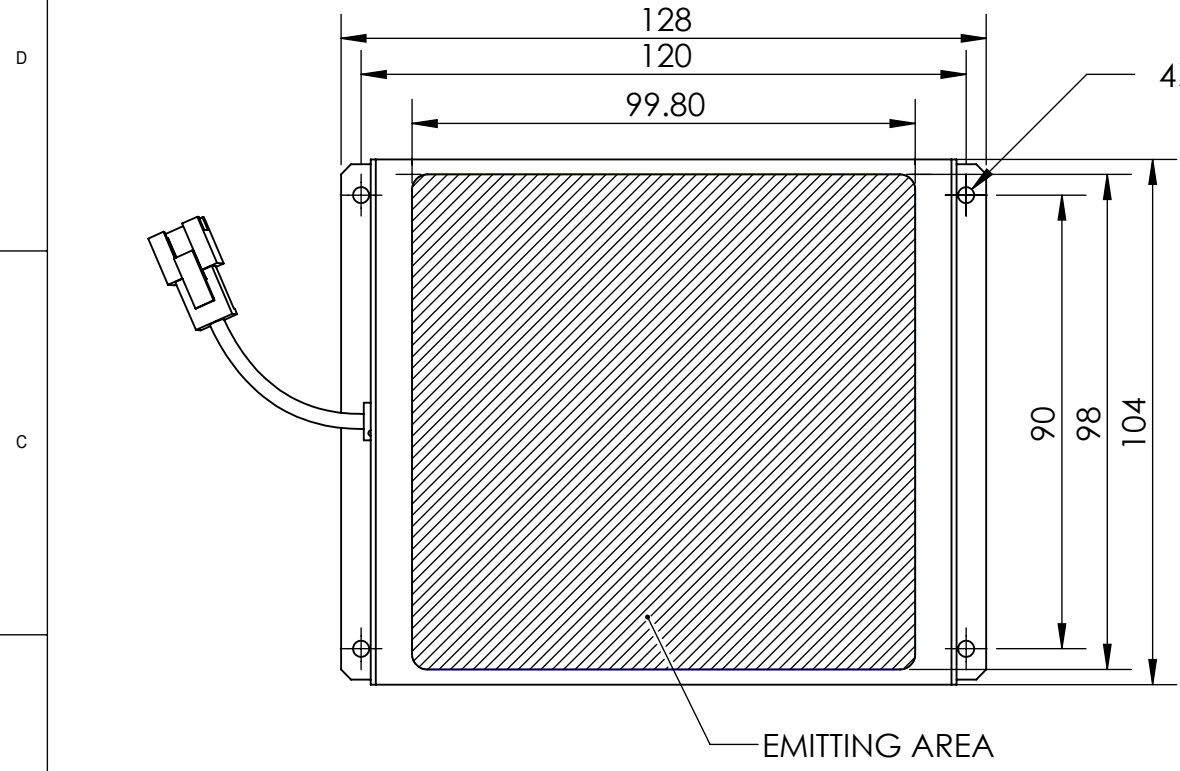


1 2 3 4 5 6 7 8

Phone +66 87 803 1661 | www.imRNasia.com | sale@imRNasia.com

REVISIONS				
ZONE	REV.	DESCRIPTIONS	DATE	APP.



COLOR	WAVE LENGHT
RED:	620nm
GREEN:	525nm
BLUE:	470nm
WHITE:	--
IR 850:	850nm
IR 940:	940nm
UV:	380-385nm
RGB:	620nm/525nm/470nm

DESIGN BY	ST NG	UNIT:
CHECK BY	KB TAN	MM
DATE	8/12/2014	REVISION:
MATERIAL	-	01
FINISHING	-	SCALE:
QTY	-	2 : 3

PRODUCT SERIES: BKC SERIES		
TITLE	DRAWING LAYOUT	COLOUR: - - -
PART NO	BKC-100-X	VOLTAGE: - - -
DWG NO	-	CURRENT: - - -
		POWER: - - -
		SHEET 1 OF 1

1 2 3 4 5 6 7 8

A

A