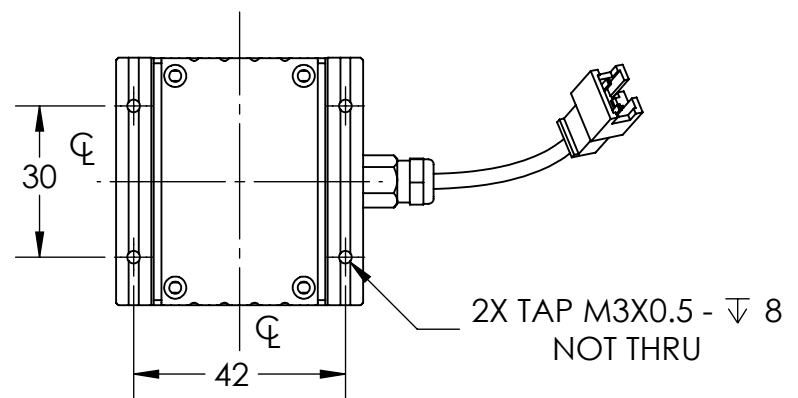
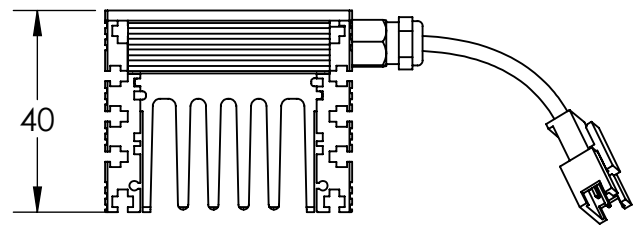
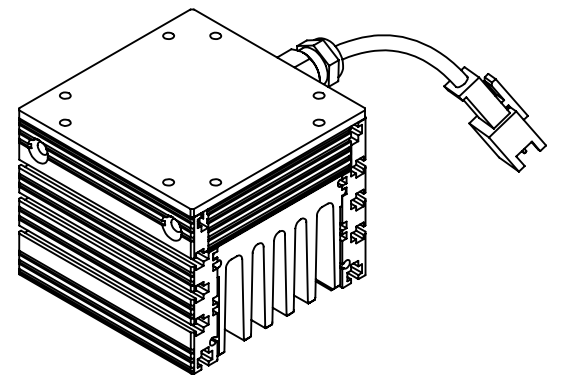
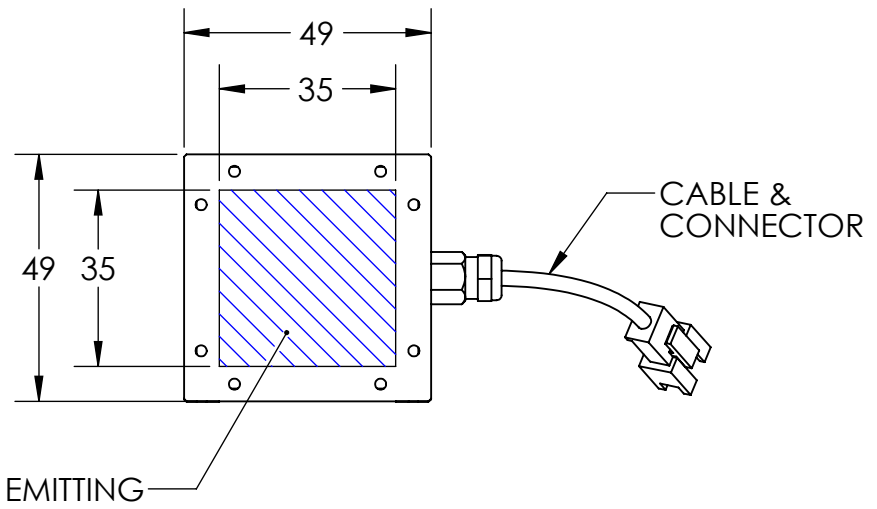


REVISIONS				
ZONE	REV.	DESCRIPTIONS	DATE	APP.



DESIGN BY	KB TAN	UNIT: MM	PRODUCT SERIES: BKH SERIES		
CHECK BY	KB TAN				
DATE	02/02/2016	REVISION: 01	TITLE	DRAWING LAYOUT	COLOUR: - -
MATERIAL	-	SCALE: 2 : 3	PART NO	BKH-035-X	VOLTAGE: - -
FINISHING	-		DWG NO	-	CURRENT: - -
QTY	-				POWER: - -
					SHEET 1 OF 1