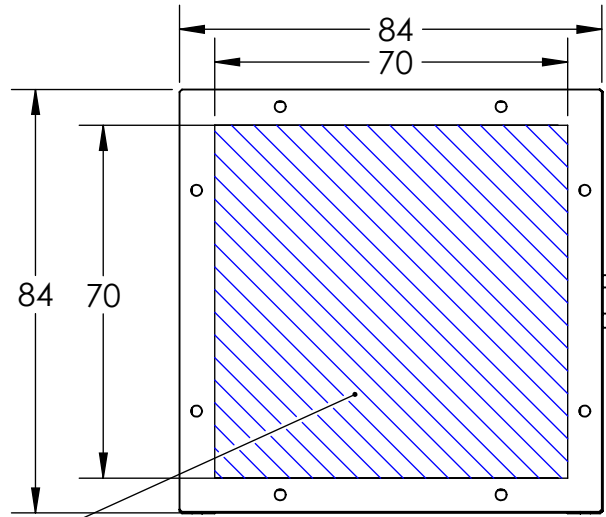
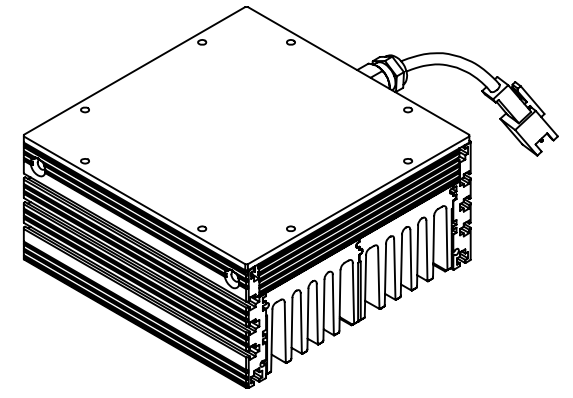


REVISIONS

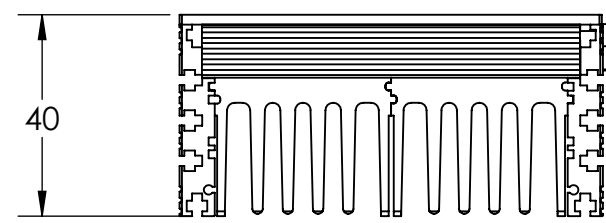
ZONE	REV.	DESCRIPTIONS	DATE	APP.
------	------	--------------	------	------



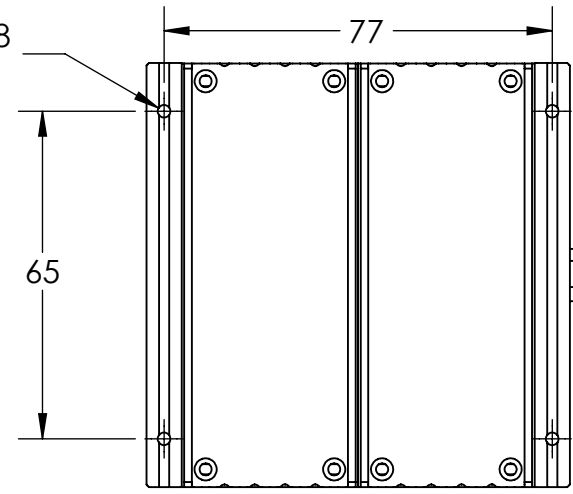
CABLE & CONNECTOR



EMITTING



2X TAP M3X0.5 -  $\nabla$  8  
NOT THRU



DESIGN BY	KB TAN	UNIT:	PRODUCT SERIES: BKH SERIES		
CHECK BY	KB TAN	MM			
DATE	02/02/2016	REVISION:	TITLE	DRAWING LAYOUT	COLOUR:
MATERIAL	-	01	PART NO	BKH-070-X	VOLTAGE:
FINISHING	-	SCALE:	DWG NO	-	CURRENT:
QTY	-	2 : 3			POWER:
					SHEET 1 OF 1