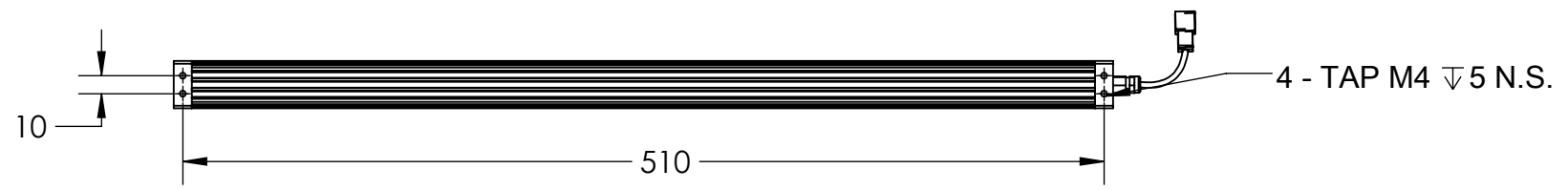
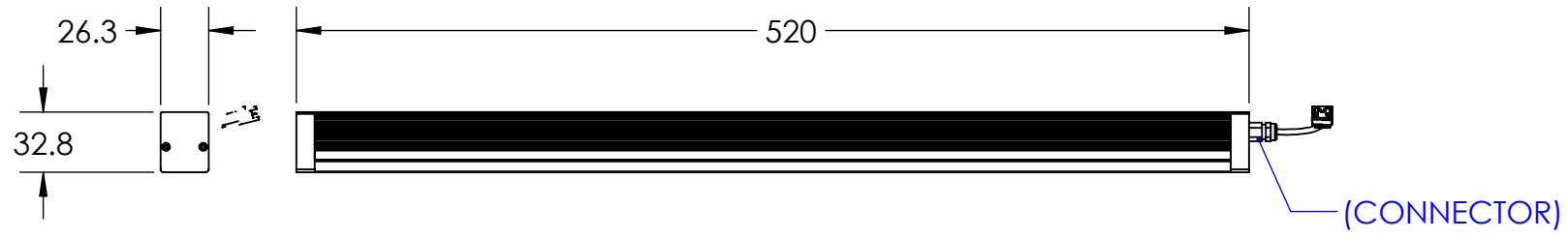
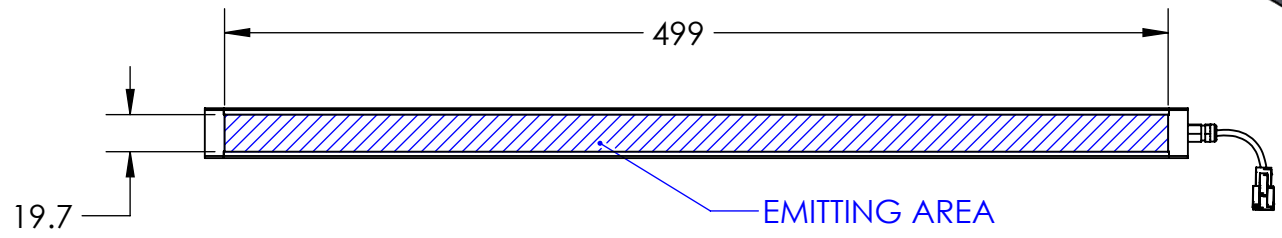
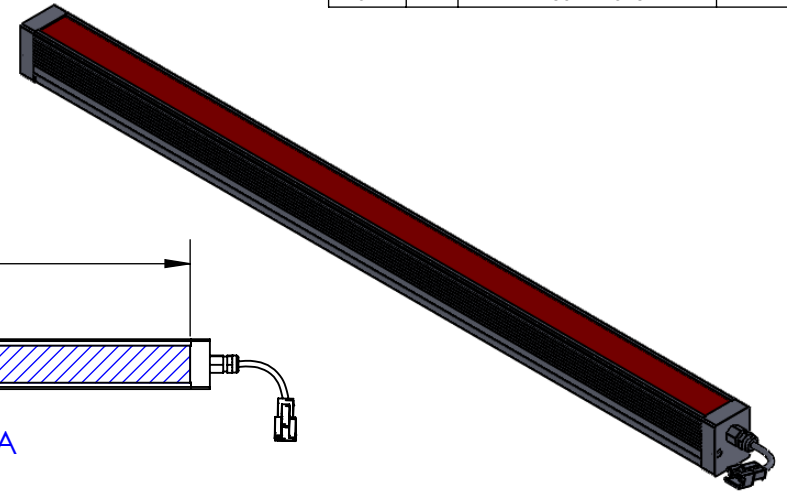


| REVISIONS |      |              |      |      |
|-----------|------|--------------|------|------|
| ZONE      | REV. | DESCRIPTIONS | DATE | APP. |
|           |      |              |      |      |



|           |            |           |     |                            |                |          |              |   |
|-----------|------------|-----------|-----|----------------------------|----------------|----------|--------------|---|
| DESIGN BY | MY LAI     | UNIT:     | MM  | PRODUCT SERIES: BLK SERIES |                |          |              |   |
| CHECK BY  | KB TAN     | REVISION: | 01  |                            |                |          |              |   |
| DATE      | 13/01/2016 | SCALE:    | 1:4 | TITLE                      | DRAWING LAYOUT | COLOUR:  | -            | - |
| MATERIAL  | -          |           |     | PART NO                    | BKL-500-X      | VOLTAGE: | -            | - |
| FINISHING | -          |           |     | DWG NO                     | -              | CURRENT: | -            | - |
| QTY       | -          |           |     |                            |                | POWER:   | -            | - |
|           |            |           |     |                            |                |          | SHEET 1 OF 1 |   |