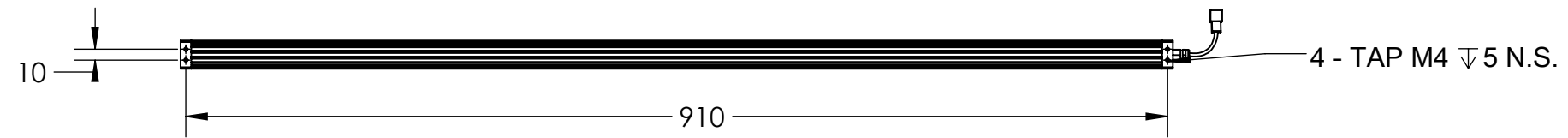
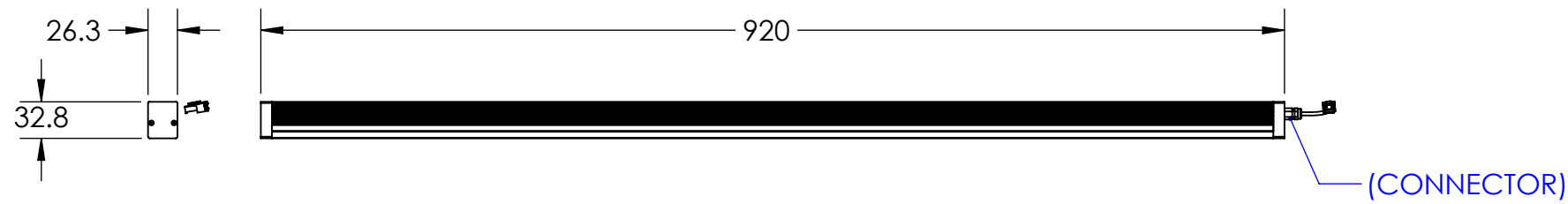
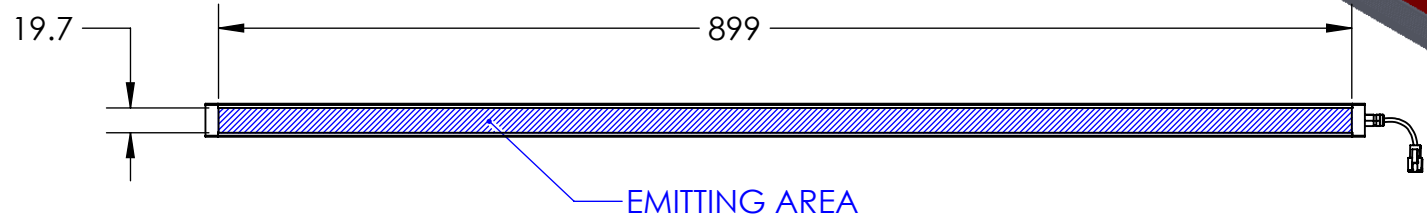
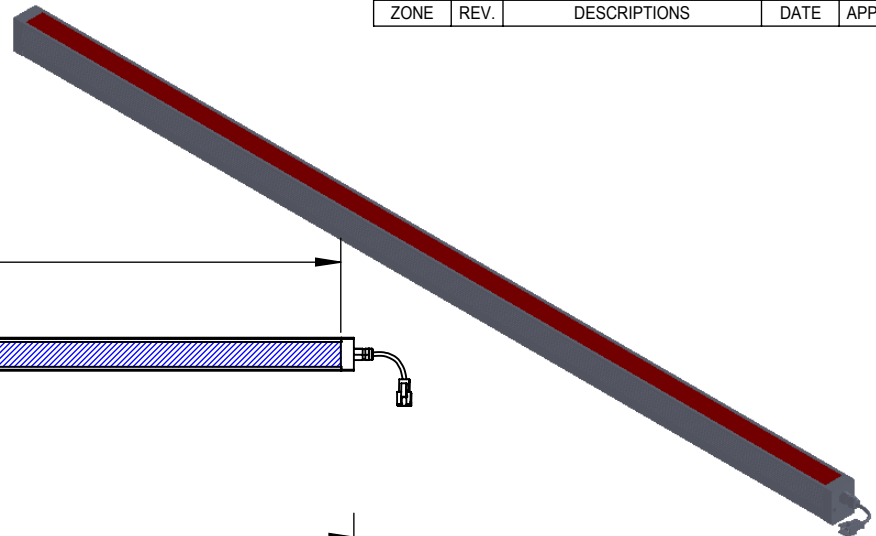


1 2 3 4 5 6 7 8

Phone +66 87 803 1661 | www.imRNasia.com | sale@imRNasia.com

REVISIONS				
ZONE	REV.	DESCRIPTIONS	DATE	APP.



DESIGN BY	MY LAI	UNIT: MM	PRODUCT SERIES: BLK SERIES		
CHECK BY	KB TAN				
DATE	13/01/2016	REVISION: 01	TITLE	DRAWING LAYOUT	COLOUR: - -
MATERIAL	-	SCALE: 1:5	PART NO	BKL-900-X	VOLTAGE: - -
FINISHING	-		DWG NO	-	CURRENT: - -
QTY	-				
					SHEET 1 OF 1

1 2 3 4 5 6 7 8

D
C
B
A

D
C
B
A