

REVISIONS				
ZONE	REV.	DESCRIPTIONS	DATE	APP.

D

C

B

A

D

C

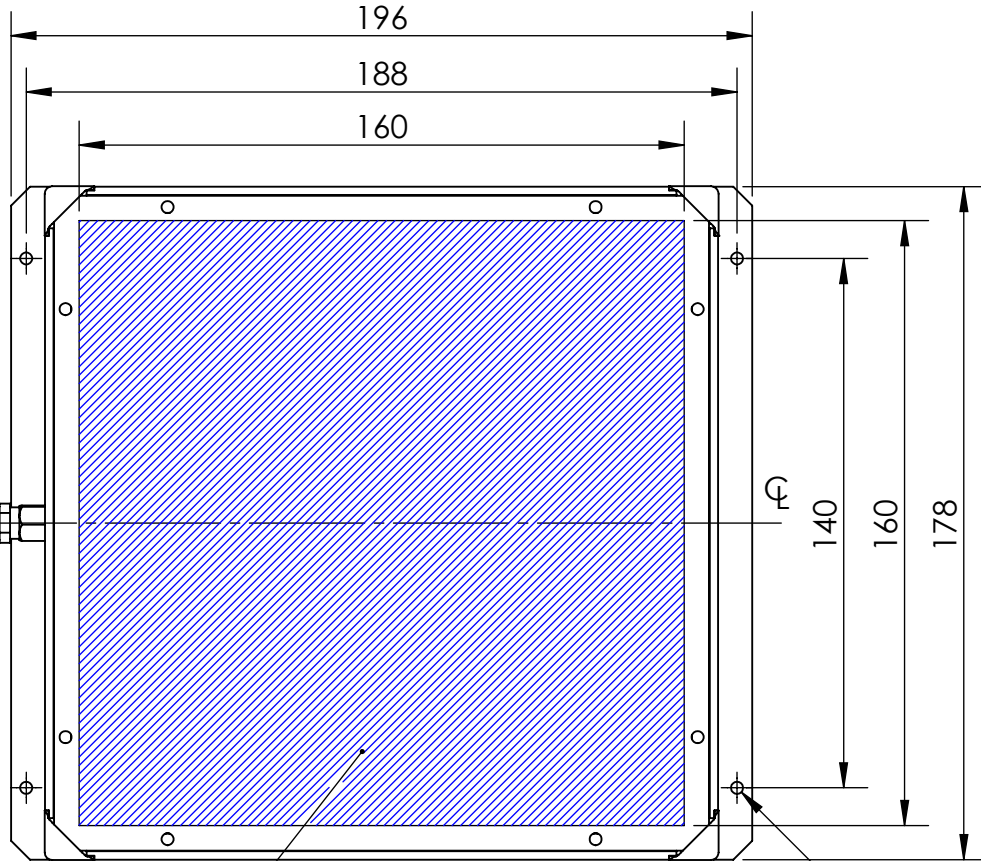
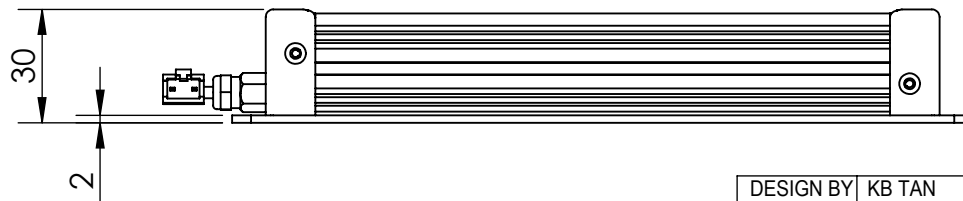
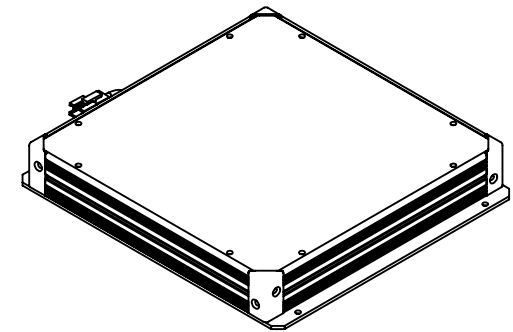
B

A

CABLE & CONNECTOR

EMITTING AREA

4 X Ø 3.20 THRU



COLOR	WAVE LENGHT
RED:	630nm
GREEN:	525nm
BLUE:	470nm
WHITE:	--
IR 850:	850nm
IR 940:	940nm
UV:	375nm
RGB:	620nm/525nm/470nm

DESIGN BY	KB TAN	UNIT:	PRODUCT SERIES: BKM5 SERIES				
CHECK BY	KB TAN	MM					
DATE	13/01/2016	REVISION:					
MATERIAL	-	01	TITLE	DRAWING LAYOUT	COLOUR:	-	-
FINISHING	-	SCALE:	PART NO	BKM5-160X160-X	VOLTAGE:	-	-
QTY	-	1 : 2	DWG NO	-	CURRENT:	-	-
					POWER:	-	-
					SHEET 1 OF 1		