

Phone +66 87 803 1661 | www.imRNasia.com | sale@imRNasia.com

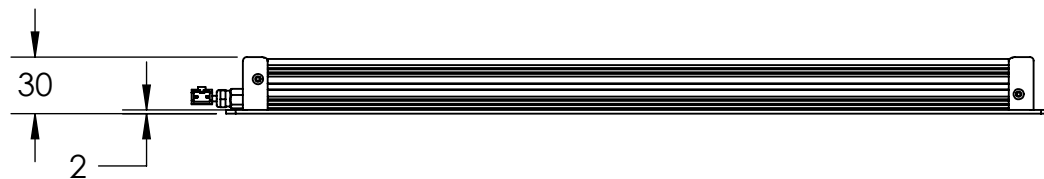
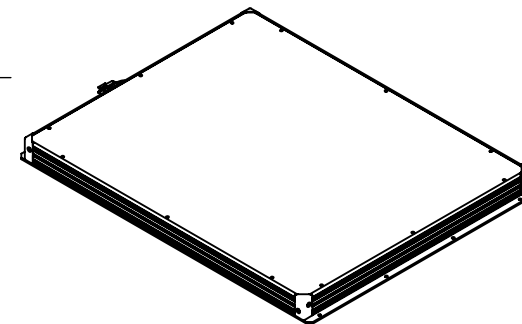
REVISIONS			
REV.	DESCRIPTIONS	EDIT BY	DATE:(d/m/y)

436
428
400

CABLE & CONNECTOR

EMITTING AREA

8 X Ø 3.20 THRU



COLOR	WAVE LENGHT
RED:	630nm
GREEN:	525nm
BLUE:	470nm
WHITE:	--
IR 850:	850nm
IR 940:	940nm
UV:	375nm
RGB:	620nm/525nm/470nm

DESIGN BY	KB TAN	UNIT: MM	PRODUCT SERIES: BKM5 SERIES	
CHECK BY	KB TAN			
DATE	26/1/2016	REVISION: 01	TITLE	DRAWING LAYOUT
MATERIAL	-	SCALE: 1 : 4	PART NO	BKM5-320X400-X
FINISHING	-		DWG NO	-
QTY	-			SHEET 1 OF 1