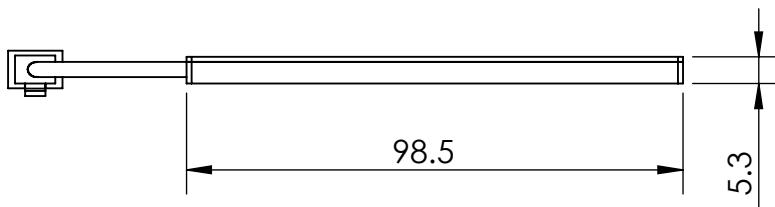
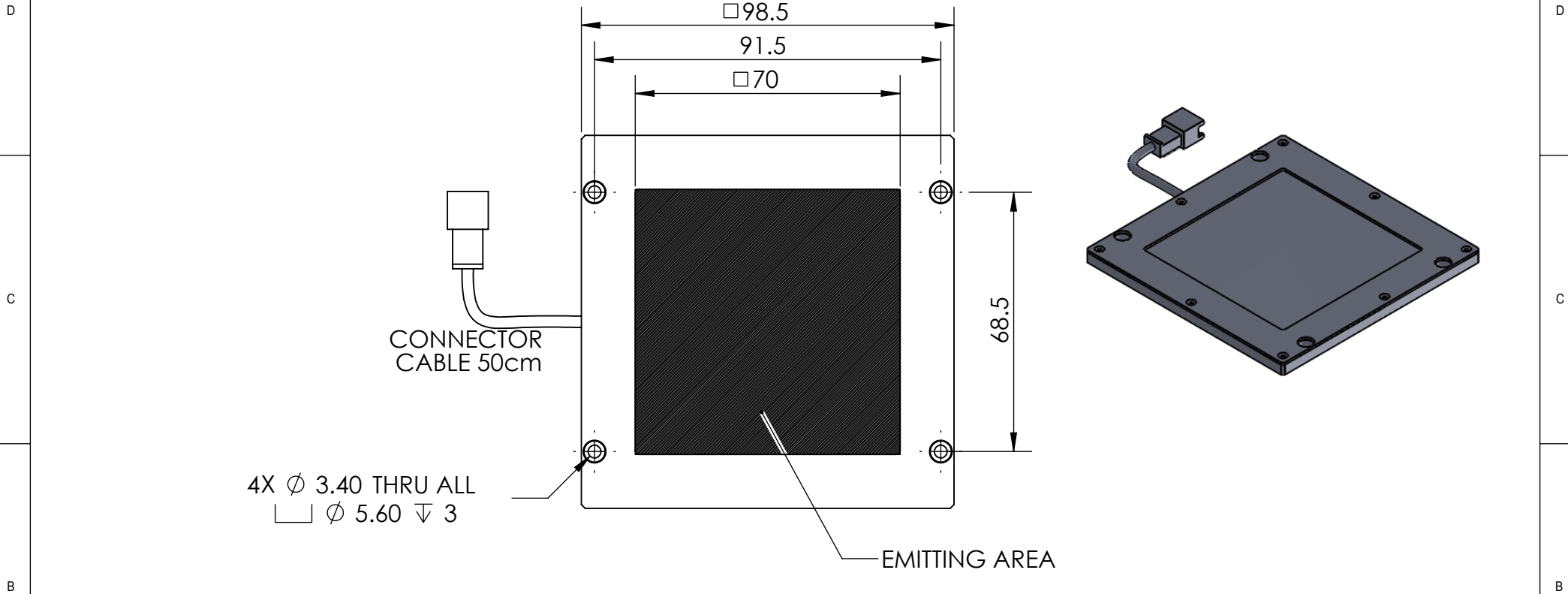


REVISIONS				
ZONE	REV.	DESCRIPTIONS	DATE	APP.



DESIGN BY	GP KHAW	UNIT:	PRODUCT SERIES: BKS SERIES		
CHECK BY	EH-LOH	MM			
DATE	14/03/2012	REVISION:	TITLE	DRAWING LAYOUT	COLOUR: - -
MATERIAL	-	1	PART NO	BKS-070-1-X	VOLTAGE: - -
FINISHING	-	SCALE:	DWG NO	-	CURRENT: - -
QTY	-	2 : 3			POWER: - -
					SHEET 1 OF 1