

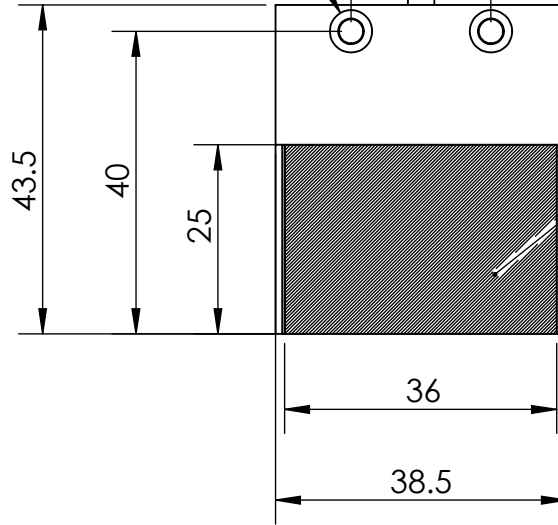
REVISIONS				
ZONE	REV.	DESCRIPTIONS	DATE	APP.

CONNECTOR
CABLE LENGTH 50cm

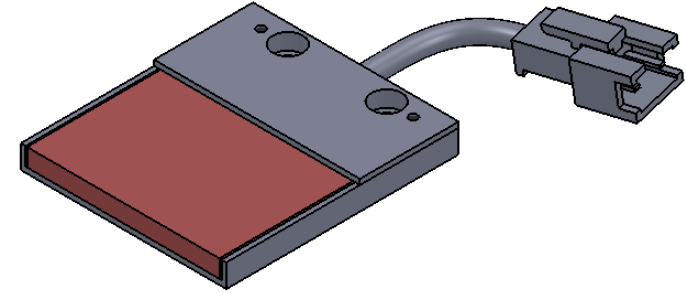
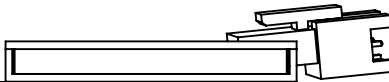
2X ϕ 3.4 THRU ALL
 ϕ 5.6 ∇ 3

18.5

EMITTING AREA



5.3



DESIGN BY	DS CHAN	UNIT:	PRODUCT SERIES: BKS SERIES				
CHECK BY	DS CHAN	MM					
DATE	21/02/2014	REVISION:	TITLE	DRAWING LAYOUT	COLOUR:	-	-
MATERIAL	-	SCALE:	PART NO	BKS-25X36-1-X	VOLTAGE:	-	-
FINISHING	-	1:1	DWG NO	-	CURRENT:	-	-
QTY	-				POWER:	-	-
					SHEET 1 OF 1		