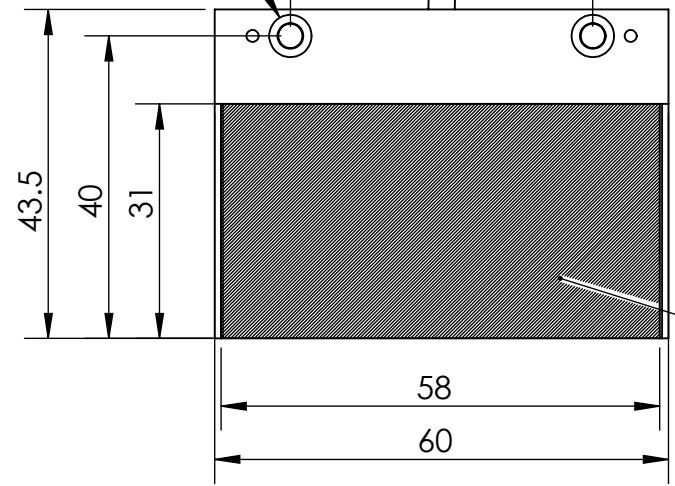
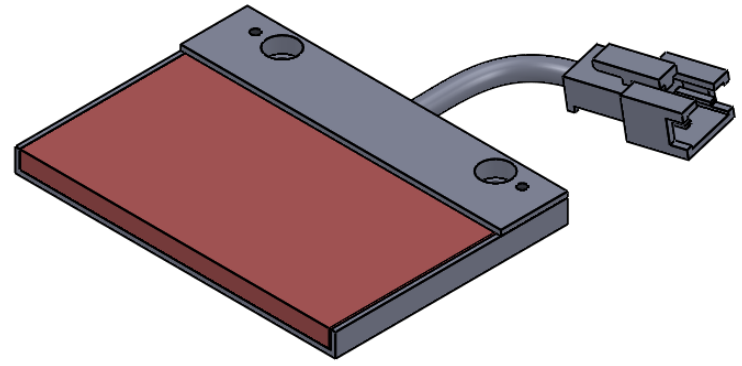
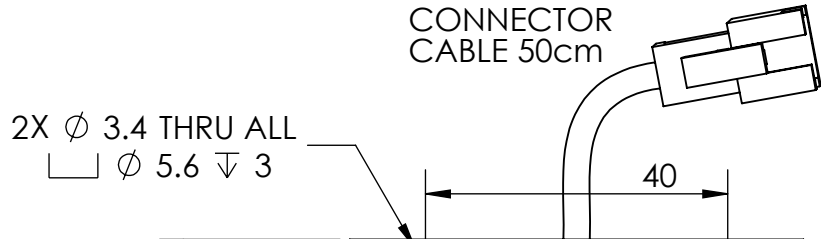


REVISIONS				
ZONE	REV.	DESCRIPTIONS	DATE	APP.



EMITTING AREA



DESIGN BY	DS CHAN	UNIT:	PRODUCT SERIES: BKS SERIES		
CHECK BY	DS CHAN	MM			
DATE	21/02/2014	REVISION:	TITLE	DRAWING LAYOUT	COLOUR: - -
MATERIAL	-	01	PART NO	BKS-31X58-1-X	VOLTAGE: - -
FINISHING	-	SCALE:	DWG NO	-	CURRENT: - -
QTY	-	1:1			POWER: - -
					SHEET 1 OF 1