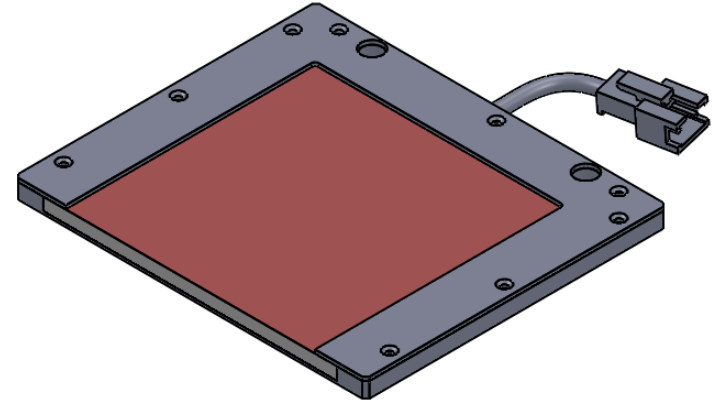
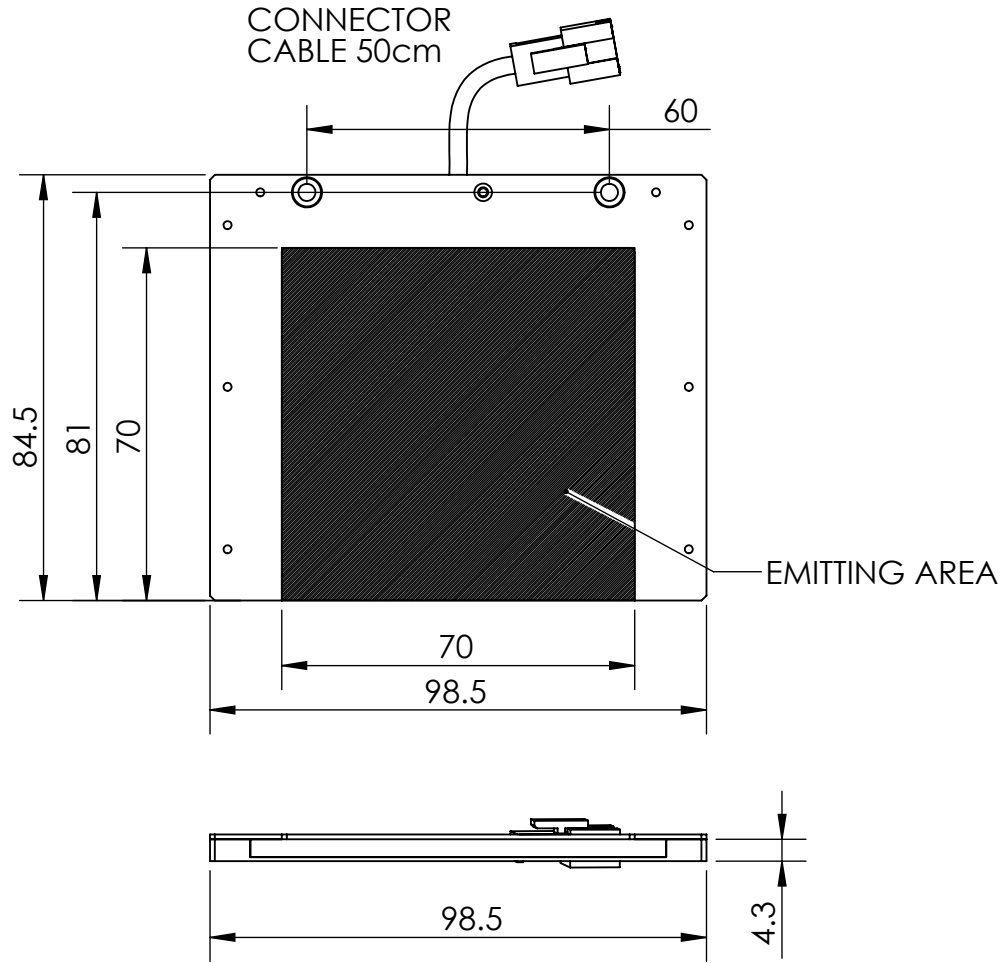


REVISIONS				
ZONE	REV.	DESCRIPTIONS	DATE	APP.



DESIGN BY	DS CHAN	UNIT:	PRODUCT SERIES: BKS SERIES				
CHECK BY	DS CHAN	MM					
DATE	21/02/2014	REVISION:	TITLE	DRAWING LAYOUT	COLOUR:	-	-
MATERIAL	-	SCALE:	PART NO	BKS-70X70-1-X	VOLTAGE:	-	-
FINISHING	-	2 : 3	DWG NO	-	CURRENT:	-	-
QTY	-				POWER:	-	-
					SHEET 1 OF 1		