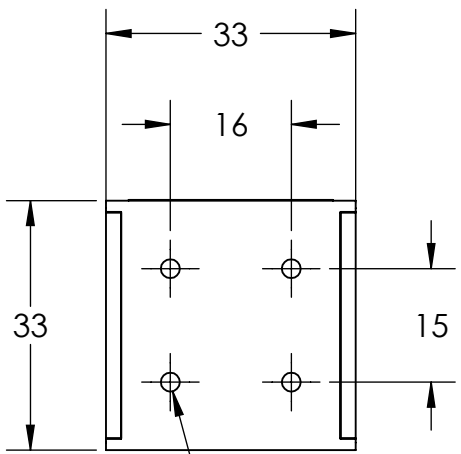
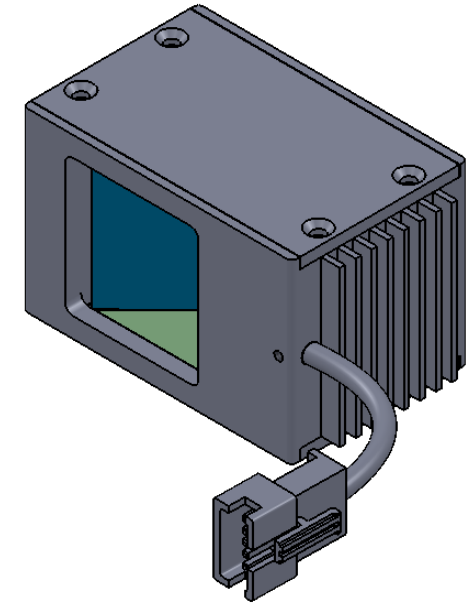
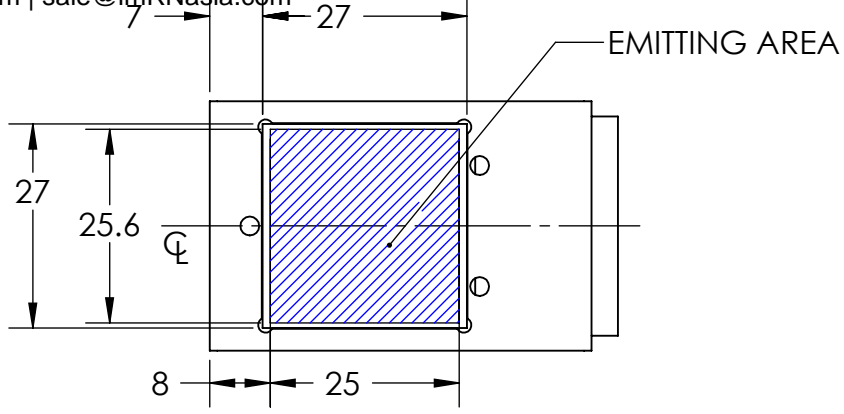
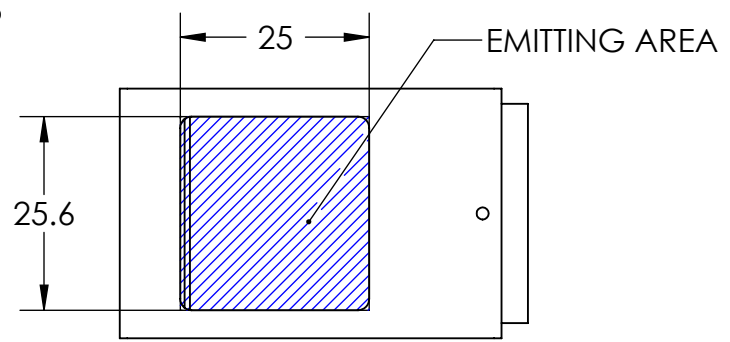
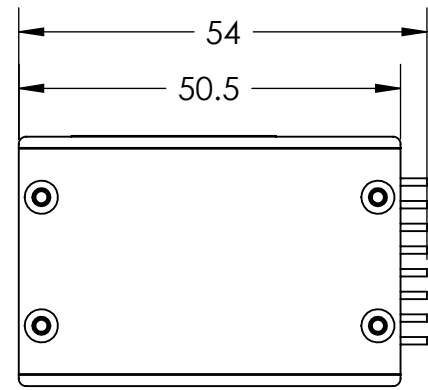


REVISIONS				
ZONE	REV.	DESCRIPTIONS	DATE	APP.



4X TAP M3X0.5 - ∇ 6
NOT THRU



DESIGN BY	KB TAN	UNIT:	PRODUCT SERIES: CAX2 SERIES		
CHECK BY	KB TAN	MM			
DATE	31/12/2014	REVISION:	TITLE	DRAWING LAYOUT	COLOUR: - -
MATERIAL	-	02	PART NO	CAX2-025-X	VOLTAGE: - -
FINISHING	-	SCALE:	DWG NO	-	CURRENT: - -
QTY	1	1:1			POWER: - -
					SHEET 1 OF 1