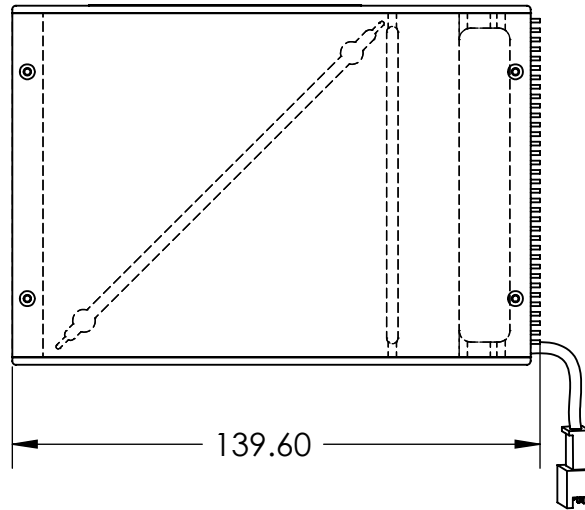
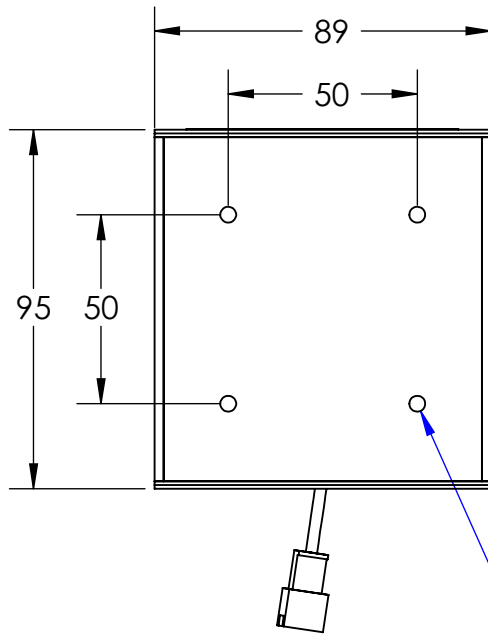
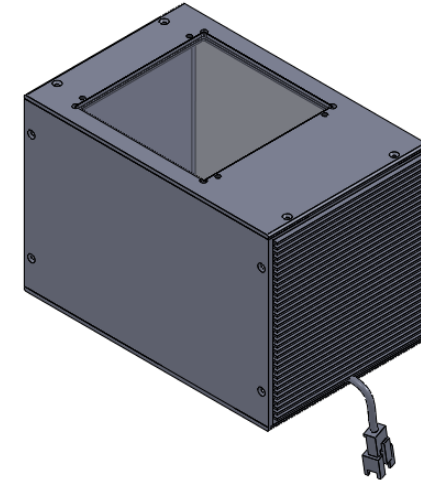
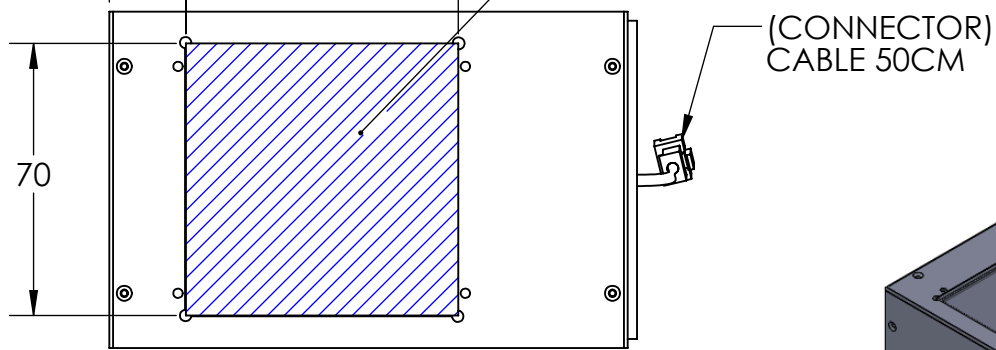


REVISIONS				
ZONE	REV.	DESCRIPTIONS	DATE	APP.

21.20 70 LIGHT EMITTING AREA



4-TAP M5 ∇ 6 N.S

DESIGN BY	DS CHAN	UNIT:	PRODUCT SERIES: CAX2 SERIES		
CHECK BY	DS CHAN	MM			
DATE	27/01/2014	REVISION:	TITLE	DRAWING LAYOUT	COLOUR: - -
MATERIAL	-	01	PART NO	CAX2-070-X	VOLTAGE: - -
FINISHING	-	SCALE:	DWG NO	-	CURRENT: - -
QTY	-	1 : 2			POWER: - -
					SHEET 1 OF 1