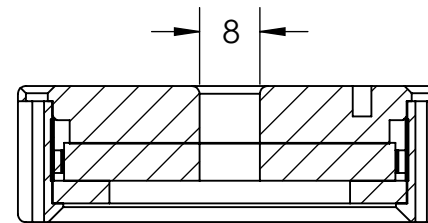
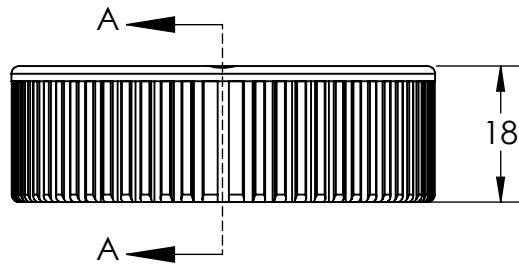
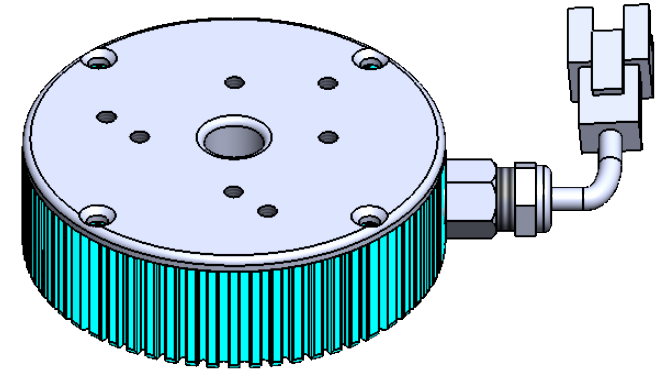
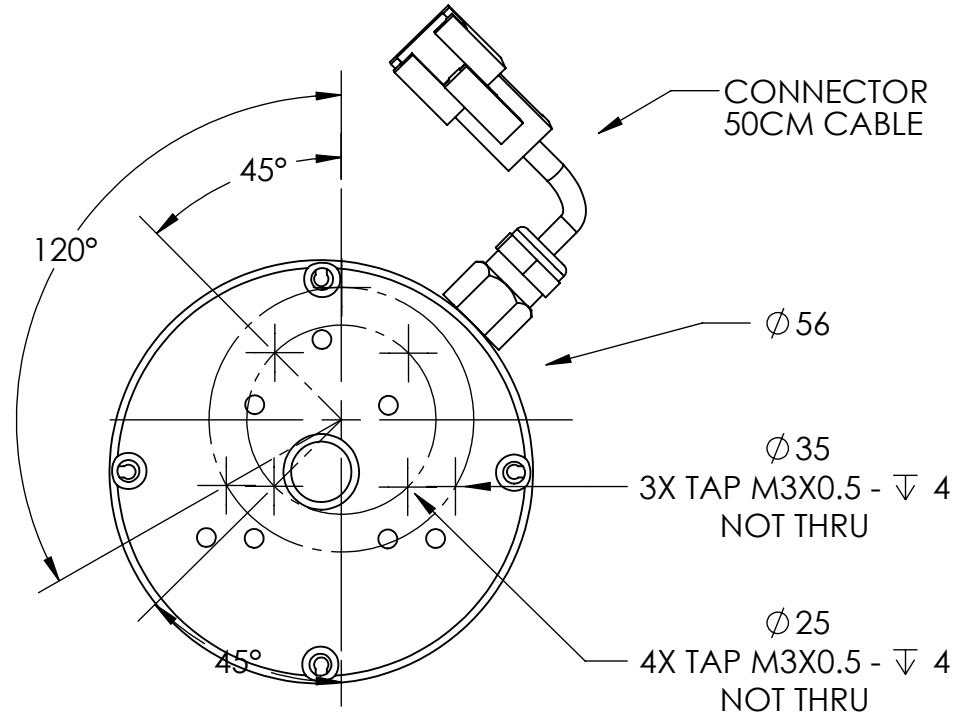


REVISIONS				
ZONE	REV.	DESCRIPTIONS	DATE	APP.



SECTION A-A  
SCALE 1 : 1

DESIGN BY	AFIZA	UNIT: MM	PRODUCT SERIES : RLF5 SERIES		
CHECK BY	KB TAN				
DATE	10/11/2016	REVISION: 01	TITLE	DRAWING LAYOUT	COLOUR: - -
MATERIAL	-	SCALE: 1 : 1	PART NO	RLF5-00-050-1-X	VOLTAGE: - -
FINISHING	-		DWG NO	-	CURRENT: - -
QTY	-				POWER: - -
					SHEET 1 OF 1