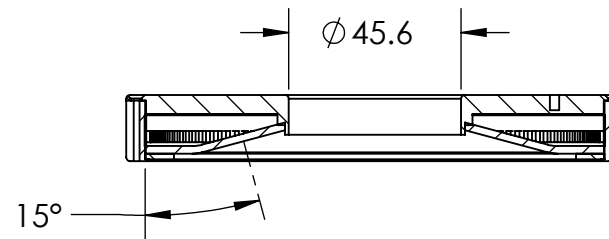
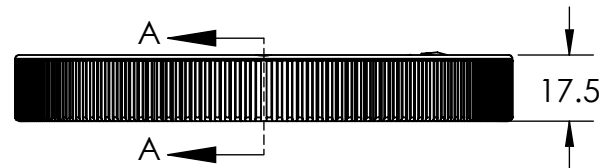
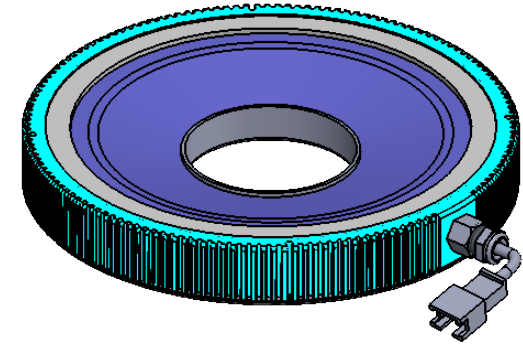
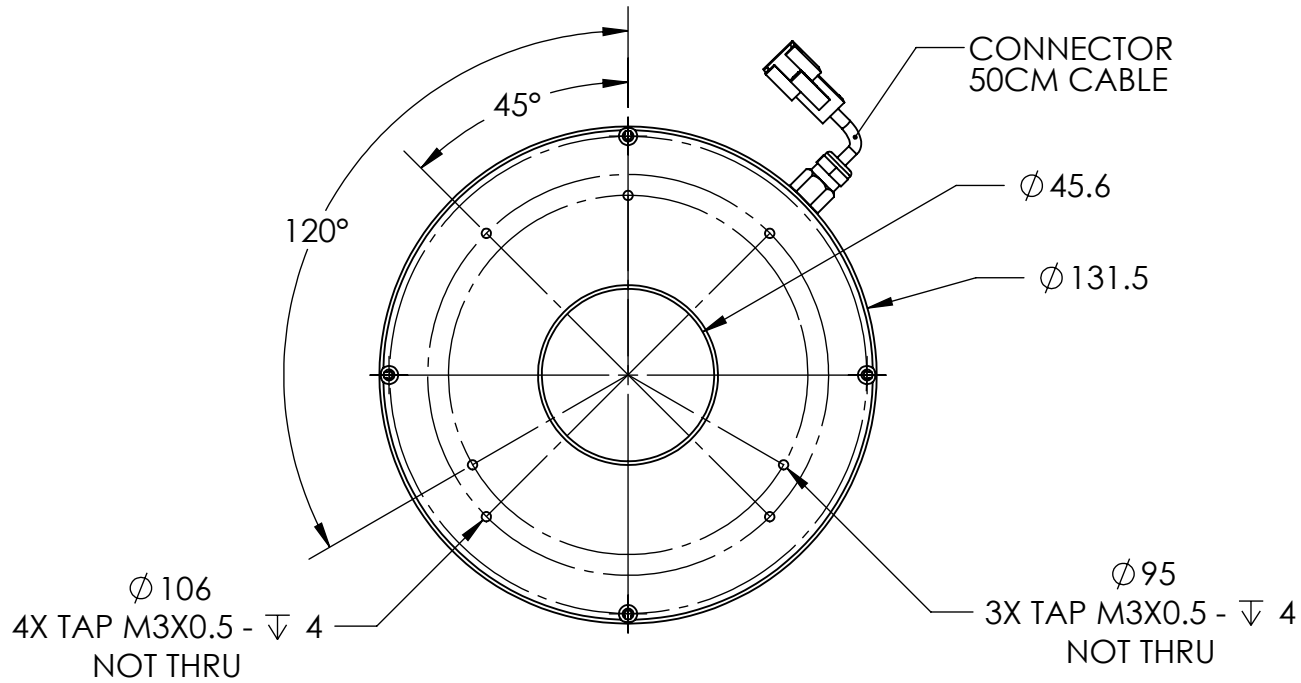


REVISIONS				
ZONE	REV.	DESCRIPTIONS	DATE	APP.



SECTION A-A  
SCALE 1 : 2

DESIGN BY	KB TAN	UNIT:	PRODUCT SERIES : RLF5 SERIES				
CHECK BY	KB TAN	MM					
DATE	28/12/2016	REVISION:	TITLE	DRAWING LAYOUT	COLOUR:	-	-
MATERIAL	-	01	PART NO	RLF5-15-130-1-X	VOLTAGE:	-	-
FINISHING	-	SCALE:	DWG NO	-	CURRENT:	-	-
QTY	-	1 : 1			POWER:	-	-
					SHEET 1 OF 1		