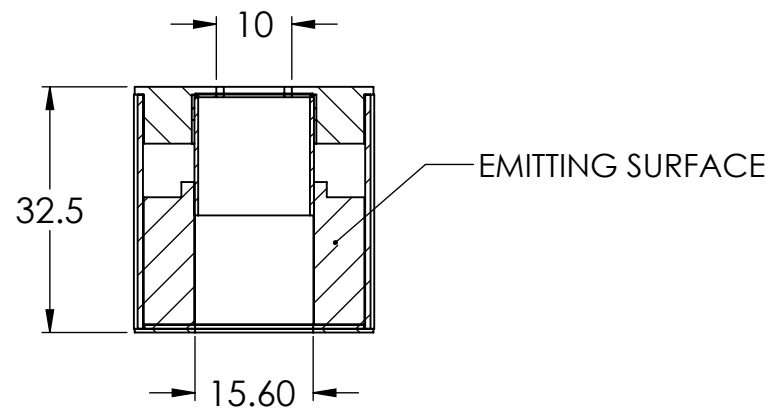
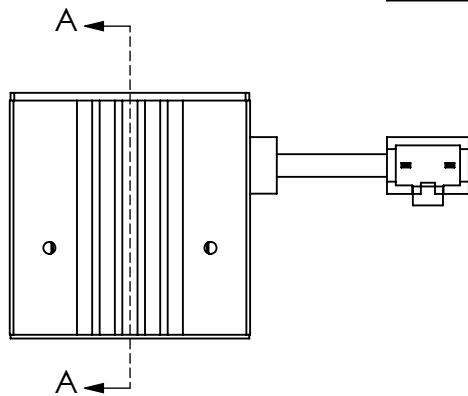
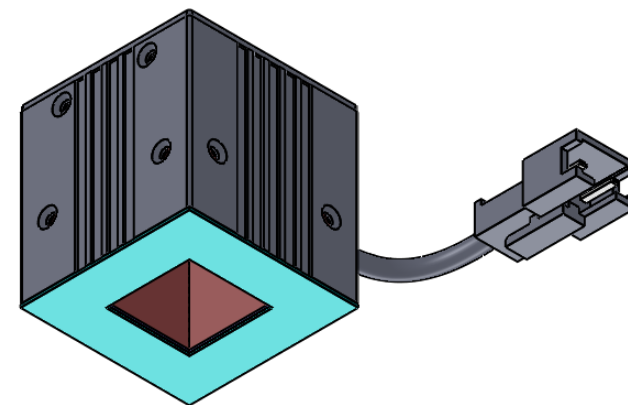
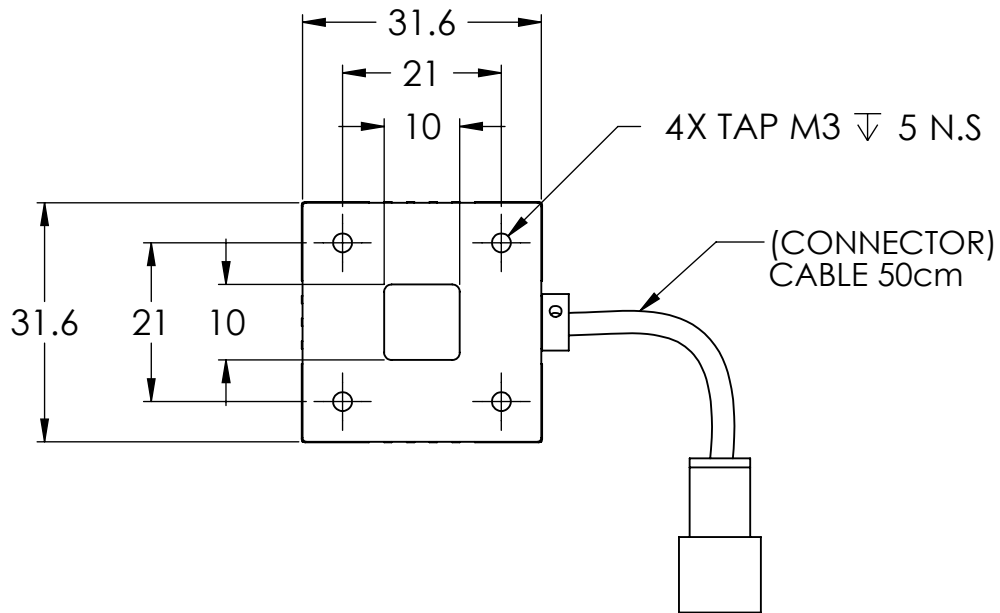


REVISIONS				
ZONE	REV.	DESCRIPTIONS	DATE	APP.



DESIGN BY	CC OOI	UNIT:	PRODUCT SERIES: SLF2 SERIES				
CHECK BY	CC OOI	MM					
DATE	09/01/2014	REVISION:	TITLE	DRAWING LAYOUT	COLOUR:	-	-
MATERIAL	-	01	PART NO	SLF2-90-030-1-X	VOLTAGE:	-	-
FINISHING	-	SCALE:	DWG NO	-	CURRENT:	-	-
QTY	-	1 : 1			POWER:	-	-
					SHEET 1 OF 1		