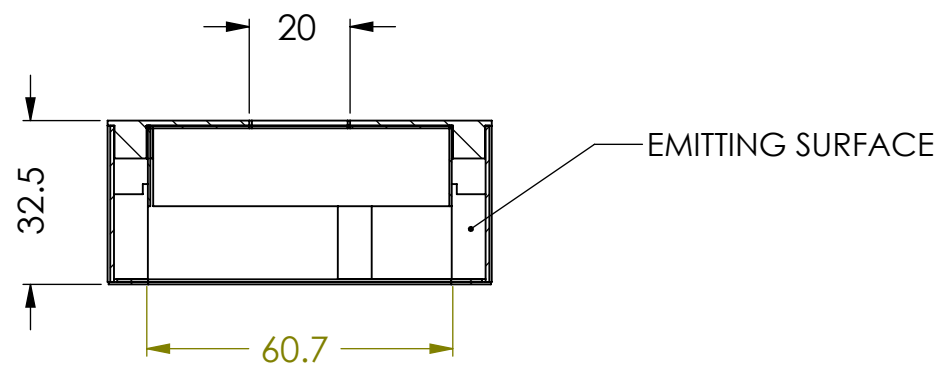
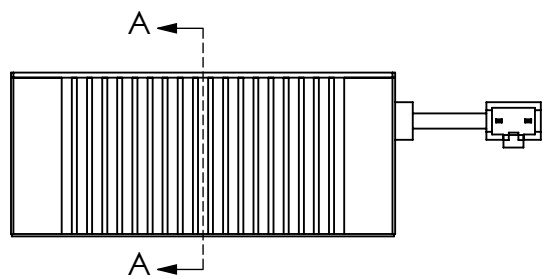
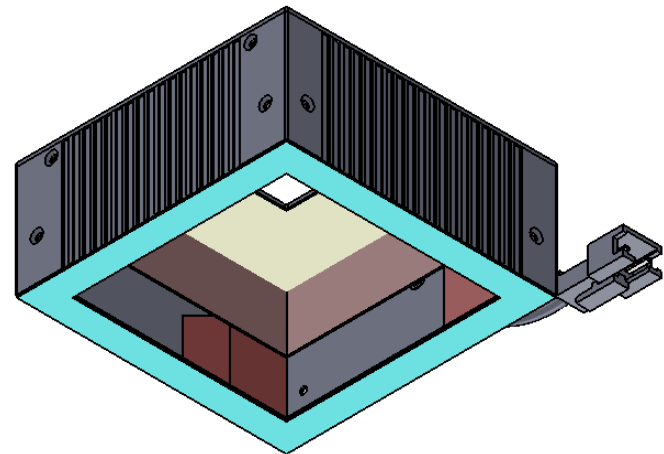
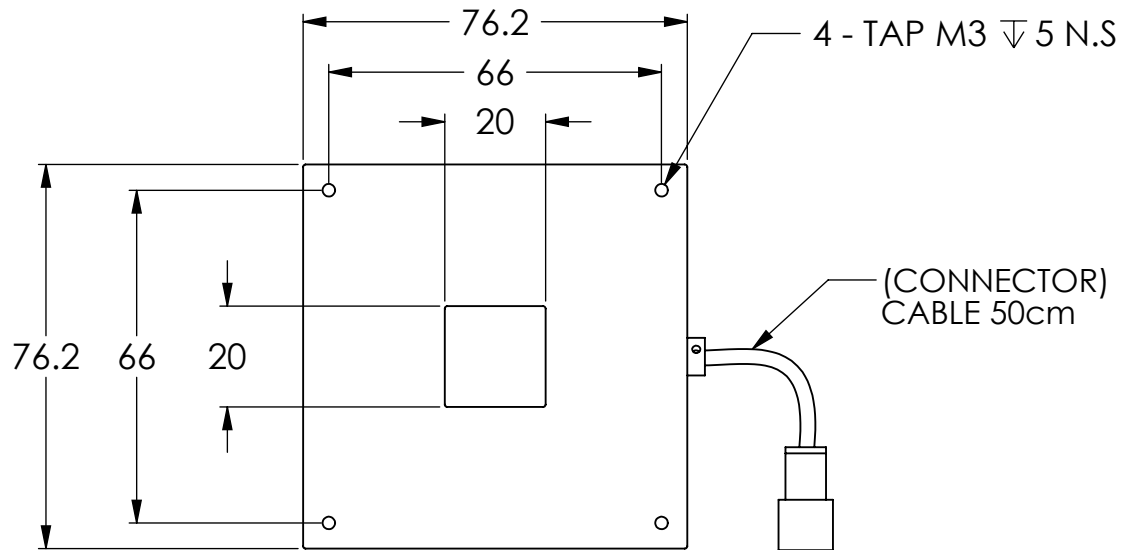


REVISIONS				
ZONE	REV.	DESCRIPTIONS	DATE	APP.



DESIGN BY	CC OOI	UNIT:	PRODUCT SERIES: SLF2 SERIES		
CHECK BY	EH-LOH	MM			
DATE	04/12/2012	REVISION:	TITLE	DRAWING LAYOUT	COLOUR:
MATERIAL	-	02	PART NO	SLF2-90-070-1-X	VOLTAGE:
FINISHING	-	SCALE:	DWG NO	-	CURRENT:
QTY	-	1:1			POWER:
					SHEET 1 OF 1