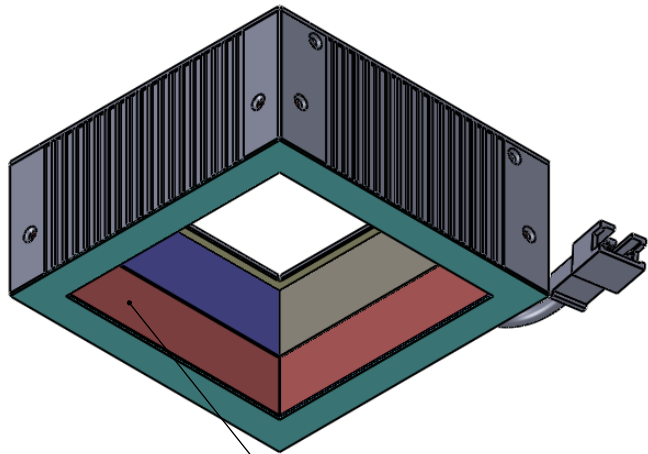
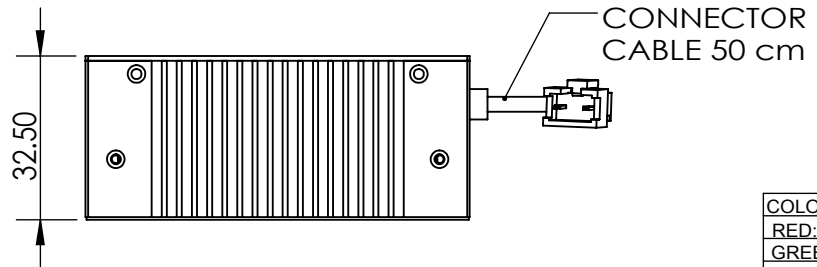
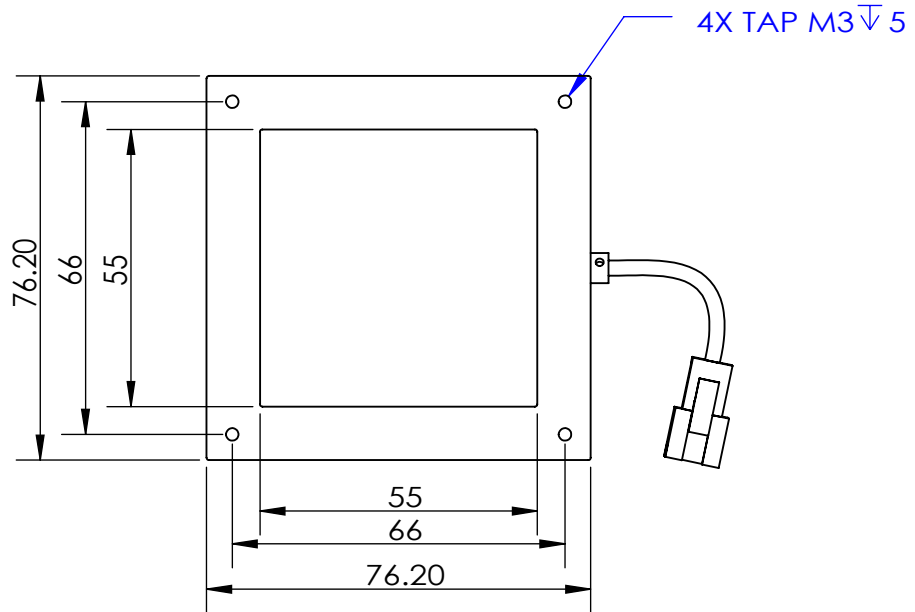


REVISIONS				
ZONE	REV.	DESCRIPTIONS	DATE	APP.



EMITTING AREA



COLOR	WAVE LENGHT
RED:	660nm
GREEN:	525nm
BLUE:	470nm
WHITE:	-
IR 850:	850nm
IR 940:	940nm
UV:	380-385nm
RGB:	660nm/525nm/470nm

DESIGN BY	GP KHAW	UNIT:	PRODUCT SERIES: SLF2 SERIES				
CHECK BY	EH-LOH	MM					
DATE	28/02/2012	REVISION:	TITLE	DRAWING LAYOUT	COLOUR:	-	-
MATERIAL	-	01	PART NO	SLF2-90-100-X	VOLTAGE:	-	-
FINISHING	-	SCALE:	DWG NO	-	CURRENT:	-	-
QTY	1	2 : 3			POWER:	-	-
						SHEET 1 OF 1	