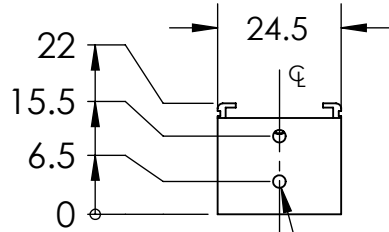
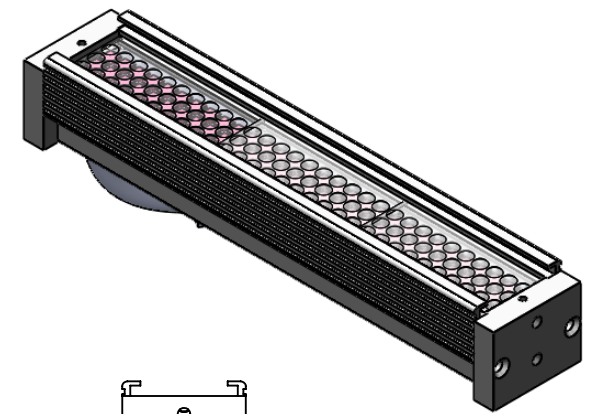
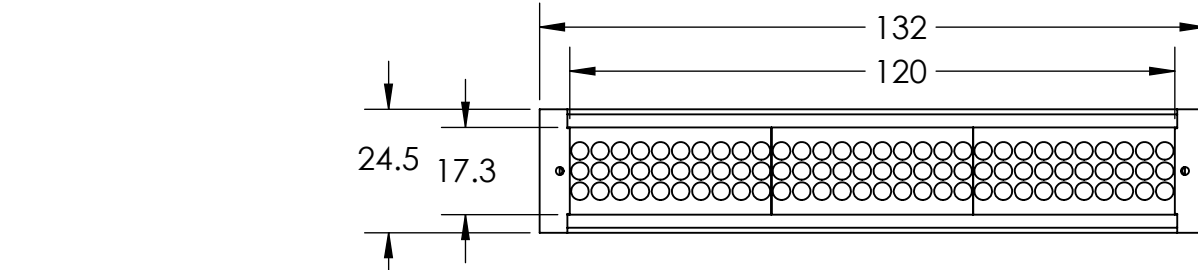
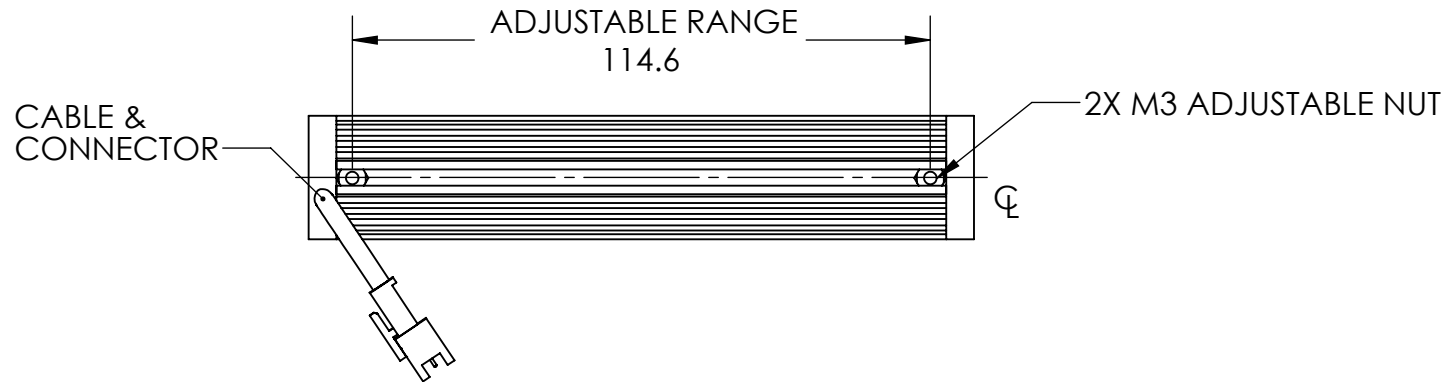
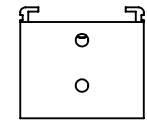
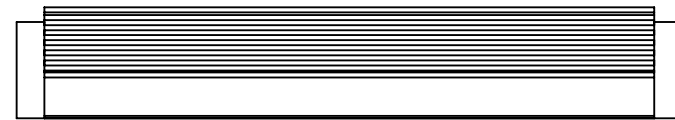


REVISIONS				
ZONE	REV.	DESCRIPTIONS	DATE	APP.



2X TAP M3  $\nabla$  4  
(ON 2 SIDES)



DESIGN BY	KB TAN	UNIT: MM	PRODUCT SERIES: BL SERIES		
CHECK BY	KB TAN				
DATE	06/01/2016	REVISION: 01	TITLE	DRAWING LAYOUT	COLOUR: - -
MATERIAL	-	SCALE: 2 : 3	PART NO	BL00-120-3-X	VOLTAGE: - -
FINISHING	-		DWG NO	-	CURRENT: - -
QTY	-				POWER: - -
					SHEET 1 OF 1