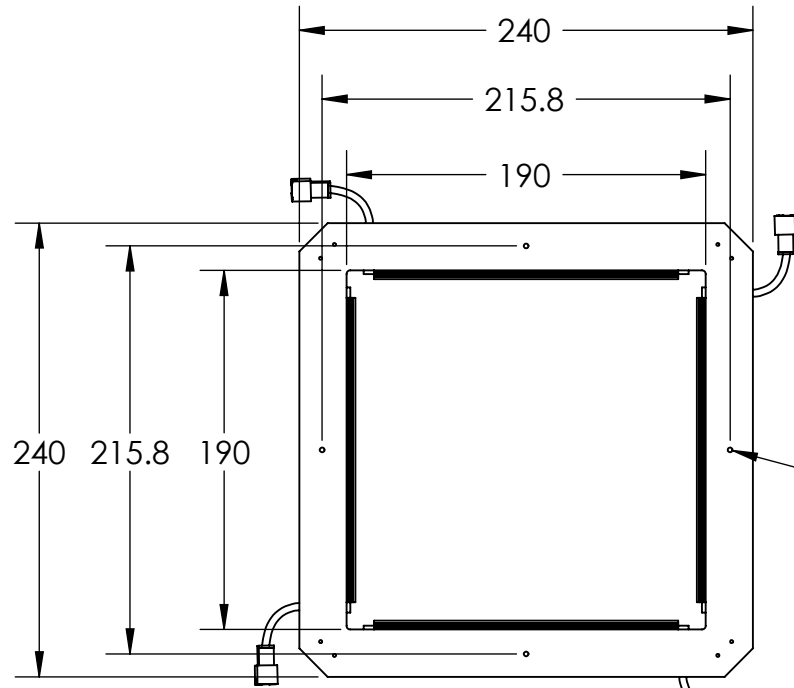
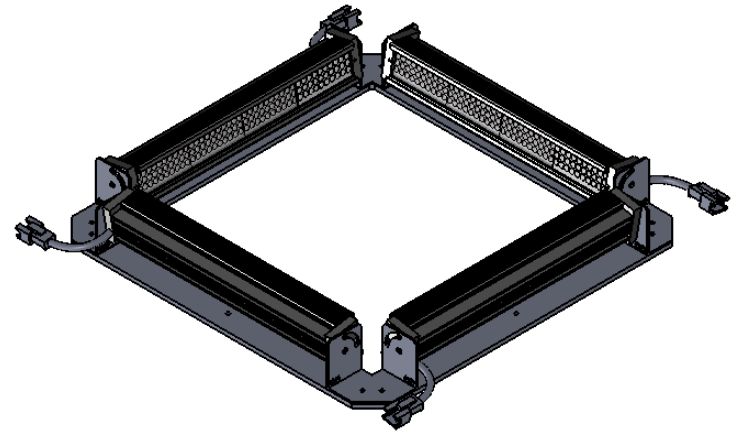
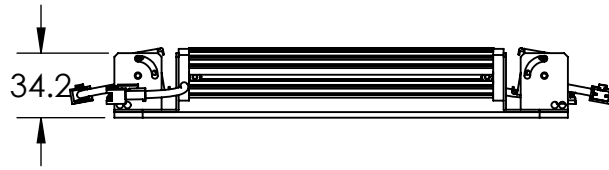


REVISIONS				
ZONE	REV.	DESCRIPTIONS	DATE	APP.



4 - TAP M3 N.S.

4 - (CONNECTOR)  
CABLE 50cm

DESIGN BY	ST NG	UNIT: MM	PRODUCT SERIES: BLQ SERIES		
CHECK BY	ST NG				
DATE	2/12/2014	REVISION: 01	TITLE	DRAWING LAYOUT	COLOUR: - -
MATERIAL	-	SCALE: 1 : 4	PART NO	BLQ00-160-3-X	VOLTAGE: - -
FINISHING	-		DWG NO	-	CURRENT: - -
QTY	-				POWER: - -
					SHEET 1 OF 1