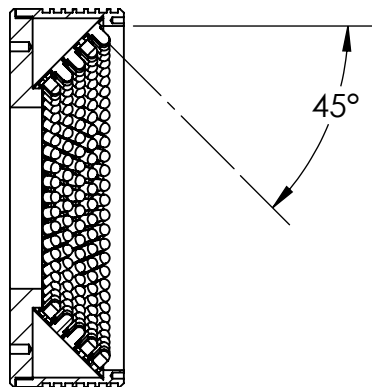
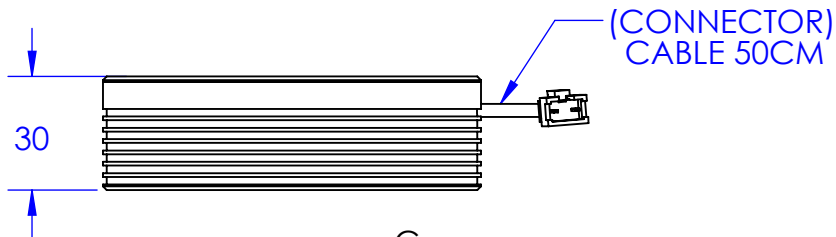
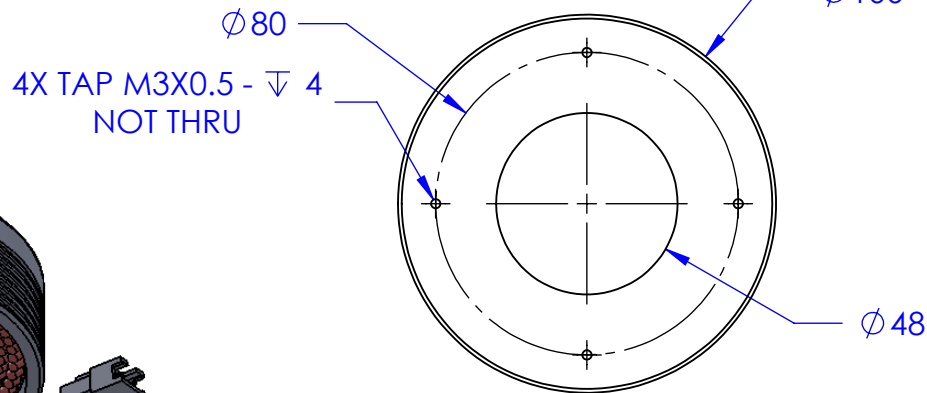
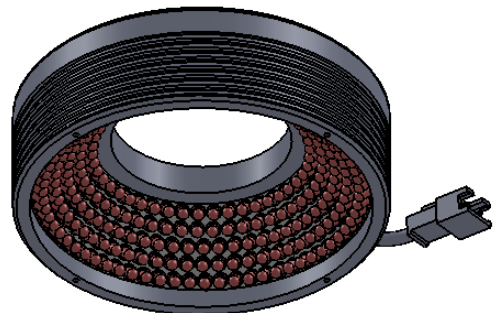
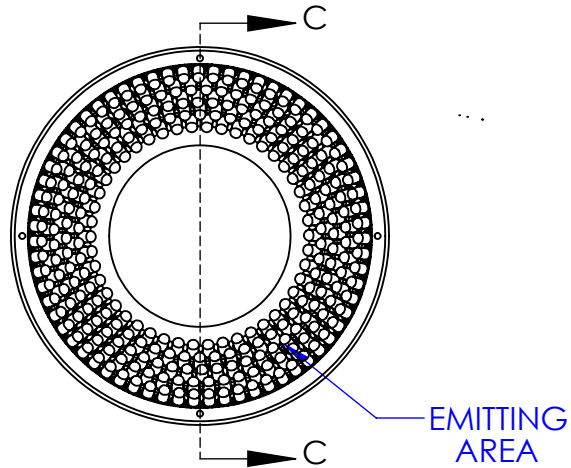


REVISIONS				
ZONE	REV.	DESCRIPTIONS	DATE	APP.



SECTION C-C
SCALE 1 : 2



DESIGN BY	KB TAN	UNIT:	PRODUCT SERIES: RL SERIES		
CHECK BY	KB TAN	MM			
DATE	02/07/2015	REVISION:	TITLE	DRAWING LAYOUT	COLOUR: - -
MATERIAL	-	02	PART NO	RL45-100-X	VOLTAGE: - -
FINISHING	-	SCALE:	DWG NO	-	CURRENT: - -
QTY	-	1 : 1			POWER: - -
					SHEET 1 OF 1