



**For FA/Machine Vision
Fixed Focal**

HF50SA-1

Applicable camera (model)

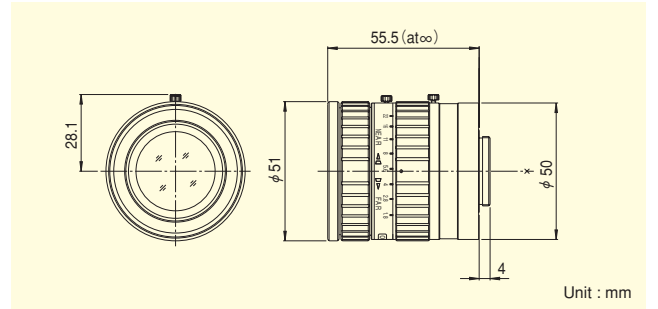
1	2/3	1/2	1/3	1/4
---	-----	-----	-----	-----

- FIXED
Fixed Focal
- 5
Mega
For Megapixel
Camera
- MANUAL
Manual Iris
- C-mt
C Mount
- METAL
Metal Mount

NEW



- High-resolution design, providing support for up to 5 megapixel camera resolution.
- Wide-aperture (F1.8) design achieves clear images under low light intensity, despite the long focal distance.
- Enhanced image recognition accuracy achieved by reduction of distortion and improvement of illumination uniformity.
- Robust enclosure resistant to vibrations and shocks. Equipped with locking knobs for the iris and the focus.



Unit : mm

Focal Length (mm)		50
Iris Range		F1.8 ~ F22
Operation	Focus	Manual
	Iris	Manual
Angle Of View (H×V)	2/3"	10°03' × 7°33'
	1/2"	7°19' × 5°30'
	1/3"	5°30' × 4°07'
Focusing Range (From Front Of The Lens) (m)		∞ ~ 0.4 *1
Object Dimensions at M.O.D. (H×V) (mm)	2/3"	70 × 52
	1/2"	51 × 38
	1/3"	38 × 28
Back Focal Distance (in air) (mm)		17.81
Exit Pupil Position (From Image Plane) (mm)		-49
Filter Thread (mm)		M49 × 0.75
Mount		C
Mass (g)		240

Remarks

- With Metal Mount
 - With Locking Knob for Iris and Focus
- *1 Using an extension tube longer than 5mm will increase the M.O.D. to 0.3m.



**For FA/Machine Vision
Fixed Focal**

HF75SA-1

Applicable camera (model)

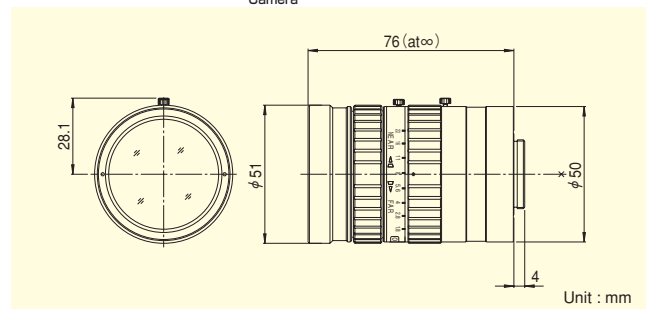
1	2/3	1/2	1/3	1/4
---	-----	-----	-----	-----

- FIXED
Fixed Focal
- 5
Mega
For Megapixel
Camera
- MANUAL
Manual Iris
- C-mt
C Mount
- METAL
Metal Mount

NEW



- High-resolution design, providing support for up to 5 megapixel camera resolution.
- Wide-aperture (F1.8) design achieves clear images under low light intensity, despite the long focal distance.
- Enhanced image recognition accuracy achieved by reduction of distortion and improvement of illumination uniformity.
- Robust enclosure resistant to vibrations and shocks. Equipped with locking knobs for the iris and the focus.



Unit : mm

Focal Length (mm)		75
Iris Range		F1.8 ~ F22
Operation	Focus	Manual
	Iris	Manual
Angle Of View (H×V)	2/3"	6°43' × 5°02'
	1/2"	4°53' × 3°40'
	1/3"	3°40' × 2°45'
Focusing Range (From Front Of The Lens) (m)		∞ ~ 0.9 *2
Object Dimensions at M.O.D. (H×V) (mm)	2/3"	101 × 76
	1/2"	74 × 55
	1/3"	55 × 41
Back Focal Distance (in air) (mm)		24.43
Exit Pupil Position (From Image Plane) (mm)		-52
Filter Thread (mm)		M49 × 0.75
Mount		C
Mass (g)		300

Remarks

- With Metal Mount
 - With Locking Knob for Iris and Focus
- *2 Using an extension tube longer than 5mm will increase the M.O.D. to 0.5m.

FIXED FOCAL LENGTH LENSES