

# MV-CH120-11GM

12 MP 1.1" CMOS GigE Area Scan Camera



GEN*i*CAM

GigE  
VISION

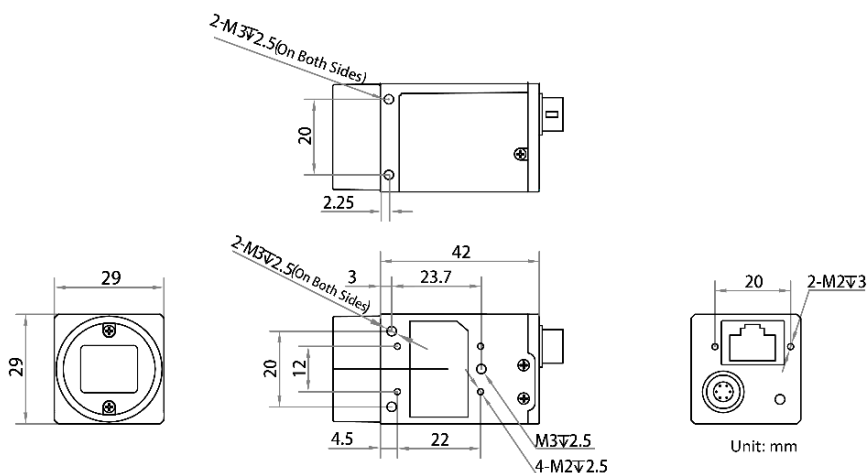
## Introduction

MV-CH120-11GM camera adopts Sony® IMX304 sensor to provide high-quality image. It uses GigE interface to transmit non-compressed images in real time, and its max. frame rate can reach 9.8 fps in full resolution.

## Key Feature

- Supports auto and manual adjustment for gain, exposure time, LUT, Gamma correction, etc.
- Adopts GigE interface and max. transmission distance of 100 meters without relay.
- Compact design with mounting holes on panels for flexible mounting from 4 sides.
- Compatible with GigE Vision V2.0 Protocol, GenICam Standard, and the third-party software based on the protocol and standard.

## Dimension



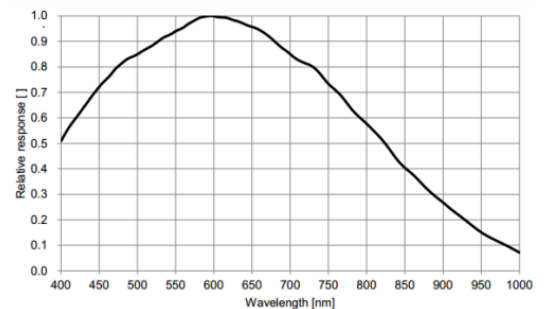
## Available Model

MV-CH120-11GM

## Applicable Industry

Electronic semiconductor, factory automation, logistics, etc.

## Sensor Quantum Efficiency



## Specification

<b>Model</b>	<b>MV-CH120-11GM</b>
<b>Camera</b>	
<b>Sensor type</b>	CMOS, global shutter
<b>Sensor model</b>	Sony® IMX304
<b>Pixel size</b>	3.45 μm × 3.45 μm
<b>Sensor size</b>	1.1"
<b>Resolution</b>	4096 × 3000
<b>Max. frame rate</b>	9.8 fps @4096 × 3000
<b>Dynamic range</b>	72.2 dB
<b>SNR</b>	40.2 dB
<b>Gain</b>	0 dB to 20 dB
<b>Exposure time</b>	UltraShort exposure mode: 1 μs to 14 μs
	Standard exposure mode: 15 μs to 10 sec
<b>Exposure mode</b>	Off/Once/Continuous exposure mode
<b>Mono/color</b>	Mono
<b>Pixel format</b>	Mono 8/10/10p/12/12p
<b>Binning</b>	Supports 1 × 1, 2 × 1, 1 × 2, 2 × 2, 1 × 4, 4 × 1, 2 × 4, 4 × 2, 4 × 4
<b>Decimation</b>	Supports 1 × 1, 2 × 1, 1 × 2, 2 × 2
<b>Reverse image</b>	Supports horizontal and vertical reverse image output
<b>Electrical feature</b>	
<b>Data interface</b>	Gigabit Ethernet, compatible with Fast Ethernet
<b>Digital I/O</b>	6-pin Hirose connector provides power and I/O, including opto-isolated input × 1 (Line 0), opto-isolated output × 1 (Line 1), bi-directional non-isolated I/O × 1 (Line 2).
<b>Power supply</b>	9 VDC to 24 VDC, supports PoE
<b>Power consumption</b>	Typ. 4.2 W@12 VDC
<b>Mechanical</b>	
<b>Lens mount</b>	C-Mount
<b>Dimension</b>	29 mm × 29 mm × 42 mm (1.1" × 1.1" × 1.7")
<b>Weight</b>	Approx. 100 g (0.2 lb.)
<b>Ingress protection</b>	IP30 (under proper lens installation and wiring)
<b>Temperature</b>	Working temperature: 0 °C to 50 °C (32 °F to 122 °F)
	Storage temperature: -30 °C to 70 °C (-22 °F to 158 °F)
<b>Humidity</b>	20% to 80% RH, non-condensing
<b>General</b>	
<b>Client software</b>	MVS or third-party software meeting with GigE Vision Protocol
<b>Operating system</b>	32/64-bit Windows XP/7/10, 32/64-bit Linux and 64-bit MacOS
<b>Compatibility</b>	GigE Vision 2.0, GenICam
<b>Certification</b>	CE, FCC, RoHS, KC