

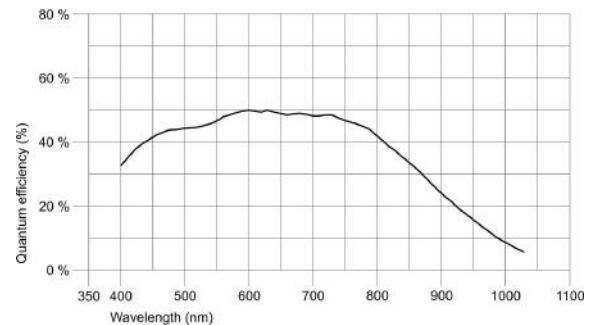
UI-1220LE-M-GL (AB.0010.1.25600.23)



Specification

Sensor

Sensor type	CMOS Mono
Shutter	Global Shutter
Sensor characteristic	Linear with knee points
Readout mode	Progressive scan
Pixel Class	WVGA
Resolution	0.36 Mpix
Resolution (h x v)	752 x 480 Pixel
Aspect ratio	14:9
ADC	10 bit
Color depth (camera)	8 bit
Optical sensor class	1/3"
Optical Size	4.512 mm x 2.880 mm
Optical sensor diagonal	5.35 mm (1/2.99")
Pixel size	6 µm
Manufacturer	ON Semiconductor
Sensor Model	MT9V032C12STM
Gain (master/RGB)	4x/-
AOI horizontal	increased frame rate
AOI vertical	increased frame rate
AOI image width / step width	16 / 4
AOI image height / step width	4 / 2
AOI position grid (horizontal/vertical)	4 / 2
Binning horizontal	increased frame rate
Binning vertical	increased frame rate
Binning method	Mono
Binning factor	2 / 4
Subsampling horizontal	-
Subsampling vertical	-
Subsampling method	-
Subsampling factor	-



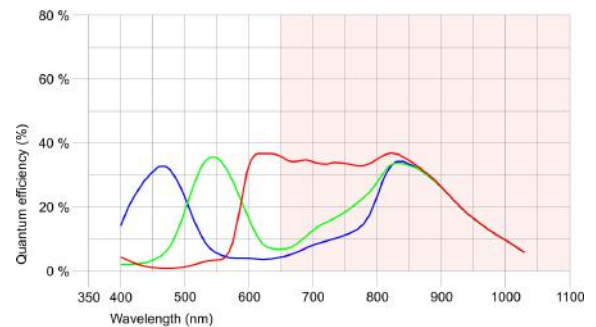
UI-1220LE-C-HQ (AB.0010.1.22400.00)



Specification

Sensor

Sensor type	CMOS Color
Shutter	Global Shutter
Sensor characteristic	Linear with knee points
Readout mode	Progressive scan
Pixel Class	WVGA
Resolution	0.36 Mpix
Resolution (h x v)	752 x 480 Pixel
Aspect ratio	14:9
ADC	10 bit
Color depth (camera)	8 bit
Optical sensor class	1/3"
Optical Size	4.512 mm x 2.880 mm
Optical sensor diagonal	5.35 mm (1/2.99")
Pixel size	6 µm
Manufacturer	ON Semiconductor
Sensor Model	MT9V032C12STC
Gain (master/RGB)	4x/5x
AOI horizontal	increased frame rate
AOI vertical	increased frame rate
AOI image width / step width	16 / 4
AOI image height / step width	4 / 2
AOI position grid (horizontal/vertical)	4 / 2
Binning horizontal	increased frame rate
Binning vertical	increased frame rate
Binning method	Mono
Binning factor	2 / 3
Subsampling horizontal	-
Subsampling vertical	-
Subsampling method	-
Subsampling factor	-



UI-1220LE-M/C

Model

Pixel clock range	5 MHz - 40 MHz
Frame rate freerun mode	87
Frame rate trigger (maximum)	83
Exposure time (minimum - maximum)	0.080 ms - 5580 ms
Power consumption	0.4 W - 1 W

Ambient conditions

The temperature values given below refer to the outer device temperature of the camera housing.

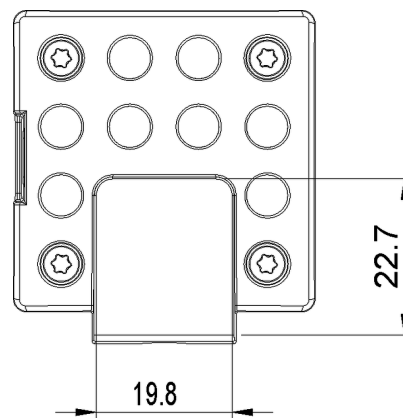
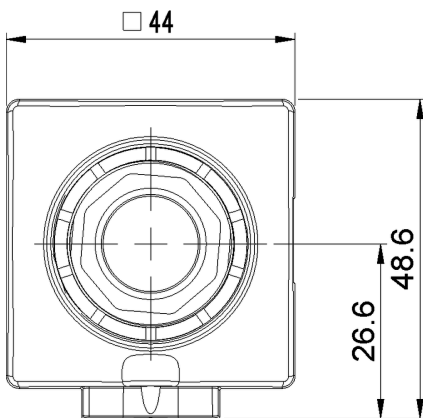
Device temperature during operation	0 °C - 55 °C / 32 °F - 131 °F
Device temperature during storage	-20 °C - 80 °C / -4 °F - 176 °F
Humidity (relative, non-condensing)	20 % - 80 %

Connectors

Interface connector	USB 2.0 mini-B
I/O connector	-
Power supply	USB cable

Design

Lens Mount	CS- / C-Mount
IP code	IP30
Dimensions H/W/L	48.6 mm x 44.0 mm x 25.6 mm
Mass	41 g



UI-1220LE-M/C

