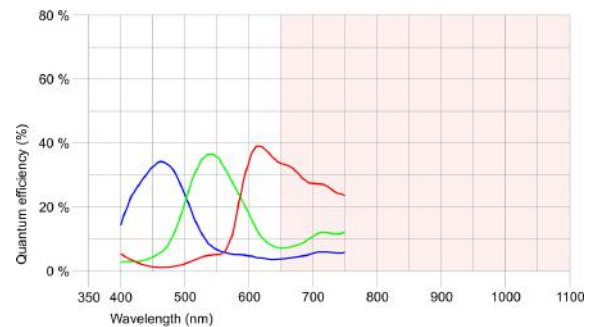




## Specification

### Sensor

Sensor type	CMOS Color
Shutter	Rolling shutter
Sensor characteristic	Linear
Readout mode	Progressive scan
Pixel Class	QXGA
Resolution	3.15 Mpix
Resolution (h x v)	2048 x 1536 Pixel
Aspect ratio	4:3
ADC	10 bit
Color depth (camera)	8 bit
Optical sensor class	1/2"
Optical Size	6.554 mm x 4.915 mm
Optical sensor diagonal	8.19 mm (1/1.95")
Pixel size	3.2 μm
Manufacturer	ON Semiconductor
Sensor Model	MT9T001
Gain (master/RGB)	12.1x/7.3x
AOI horizontal	increased frame rate
AOI vertical	increased frame rate
AOI image width / step width	16 / 4
AOI image height / step width	4 / 2
AOI position grid (horizontal/vertical)	4 / 2
Binning horizontal	increased frame rate
Binning vertical	increased frame rate
Binning method	Color
Binning factor	2 / 3 / 4 / 6
Subsampling horizontal	increased frame rate
Subsampling vertical	increased frame rate
Subsampling method	Color
Subsampling factor	2, 3, 4, 5, 6, 8



## Model

Pixel clock range	5 MHz - 43 MHz
Frame rate freerun mode	11
Frame rate trigger (maximum)	11
Exposure time (minimum - maximum)	0.057 ms - 1744 ms
Power consumption	0.4 W - 0.7 W

## Ambient conditions

The temperature values given below refer to the outer device temperature of the camera housing.

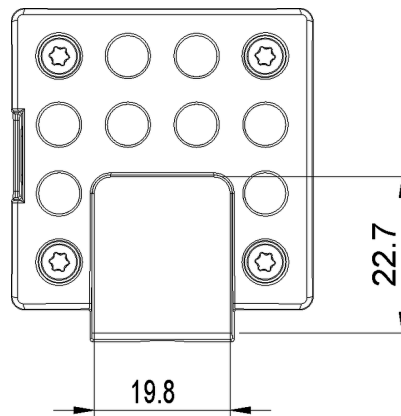
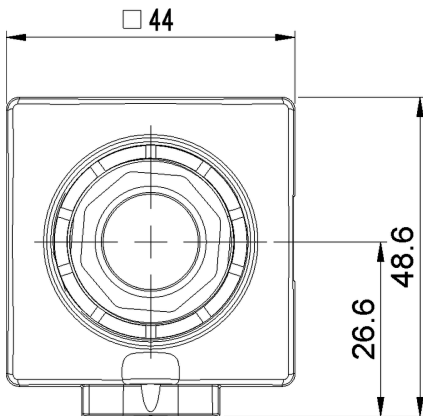
Device temperature during operation	0 °C - 55 °C / 32 °F - 131 °F
Device temperature during storage	-20 °C - 80 °C / -4 °F - 176 °F
Humidity (relative, non-condensing)	20 % - 80 %

## Connectors

Interface connector	USB 2.0 mini-B
I/O connector	-
Power supply	USB cable

## Design

Lens Mount	CS- / C-Mount
IP code	IP30
Dimensions H/W/L	48.6 mm x 44.0 mm x 25.6 mm
Mass	41 g



UI-1460LE-C-HQ (AB.0010.1.27200.00)

