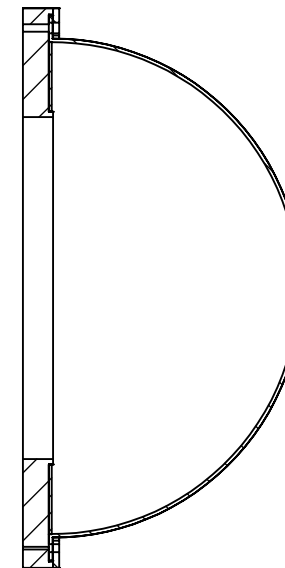
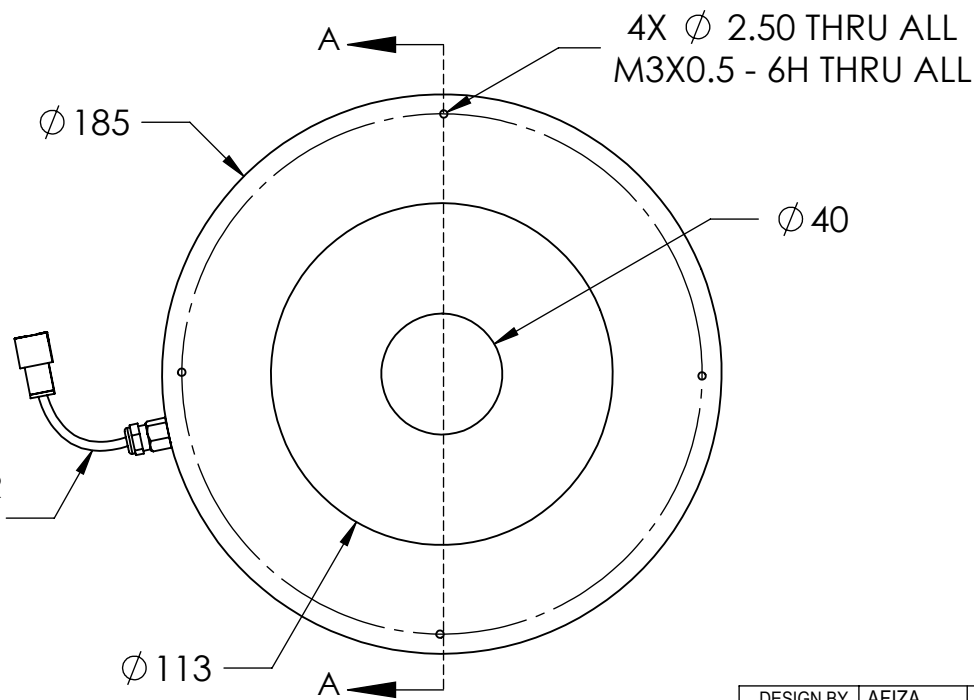
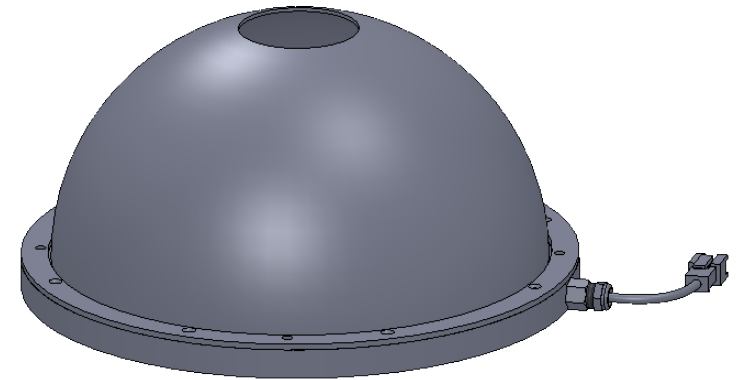
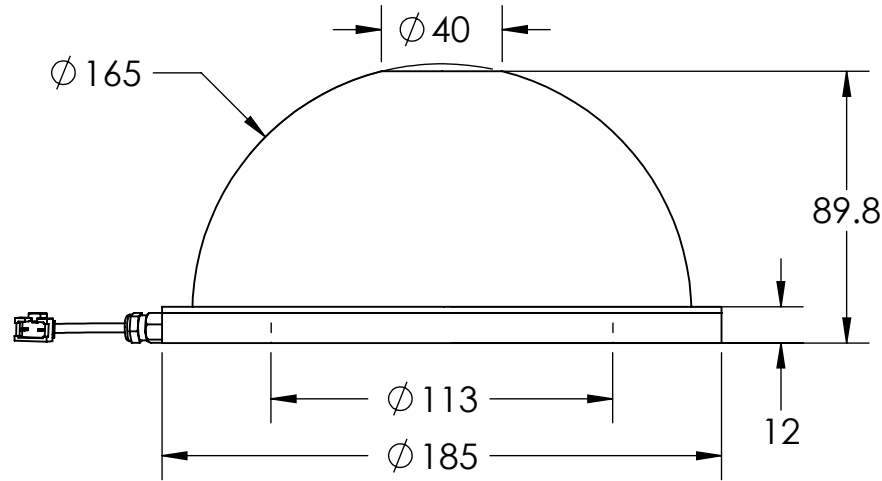


REVISIONS

ZONE	REV.	DESCRIPTIONS	DATE	APP.
------	------	--------------	------	------



DESIGN BY	AFIZA
CHECK BY	KB TAN
DATE	14/3/2017
MATERIAL	-
FINISHING	-
QTY	-

UNIT:	MM
REVISION:	02
SCALE:	1:2.5

PRODUCT SERIES : DL SERIES

TITLE	DRAWING LAYOUT
PART NO	DL00-150-X
DWG NO	-

COLOUR:	-	-
VOLTAGE:	-	-
CURRENT:	-	-
POWER:	-	-
SHEET 1 OF 1		