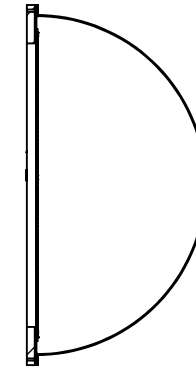
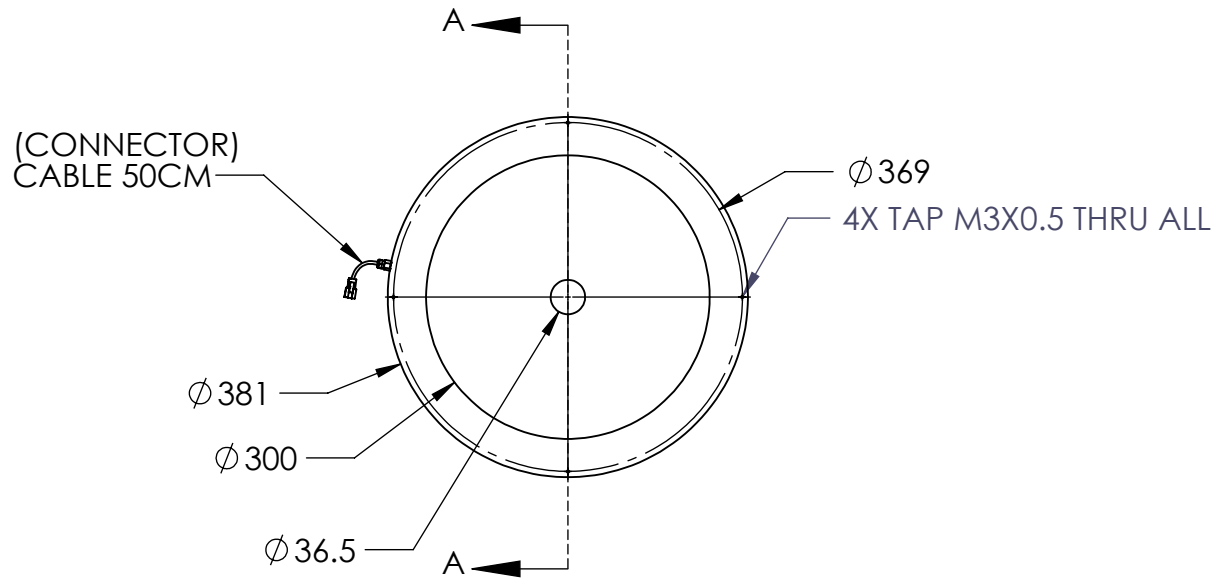
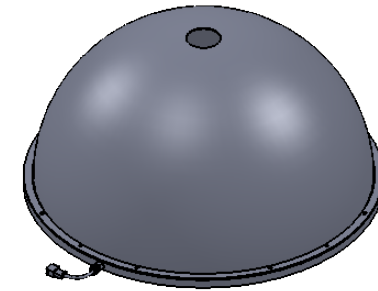
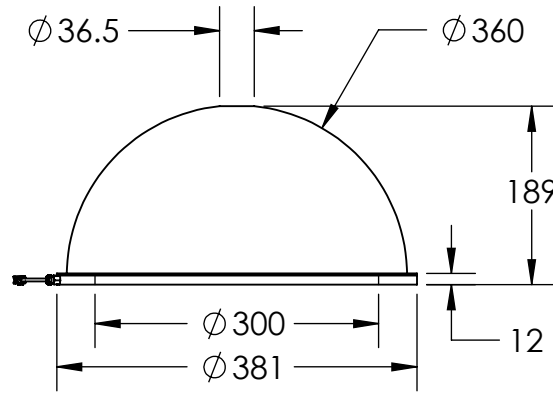


| REVISIONS | | | | |
|-----------|------|--------------|------|------|
| ZONE | REV. | DESCRIPTIONS | DATE | APP. |
| | | | | |



SECTION A-A
SCALE 1 : 8

| | | | | | |
|-----------|------------|-------------|---------------------------|----------------|--------------|
| DESIGN BY | KB TAN | UNIT: MM | PRODUCT SERIES: DL SERIES | | |
| CHECK BY | KB TAN | | | | |
| DATE | 28/11/2016 | REVISION: | TITLE | DRAWING LAYOUT | COLOUR: - - |
| MATERIAL | - | 01 | PART NO | DL00-360-X | VOLTAGE: - - |
| FINISHING | - | SCALE: | DWG NO | - | CURRENT: - - |
| QTY | 1 | 1 : 1 | | | POWER: - - |
| | | | | | SHEET 1 OF 1 |