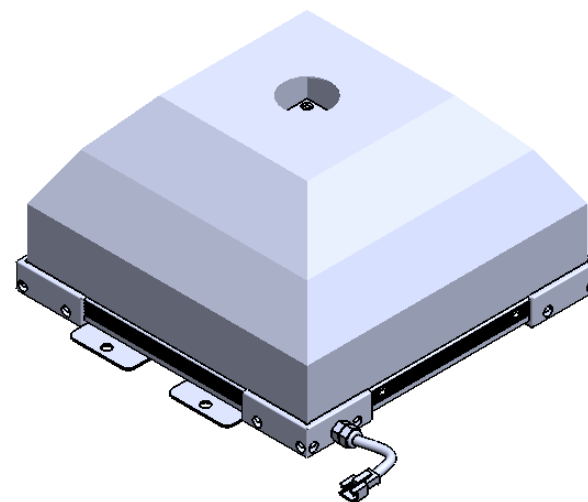
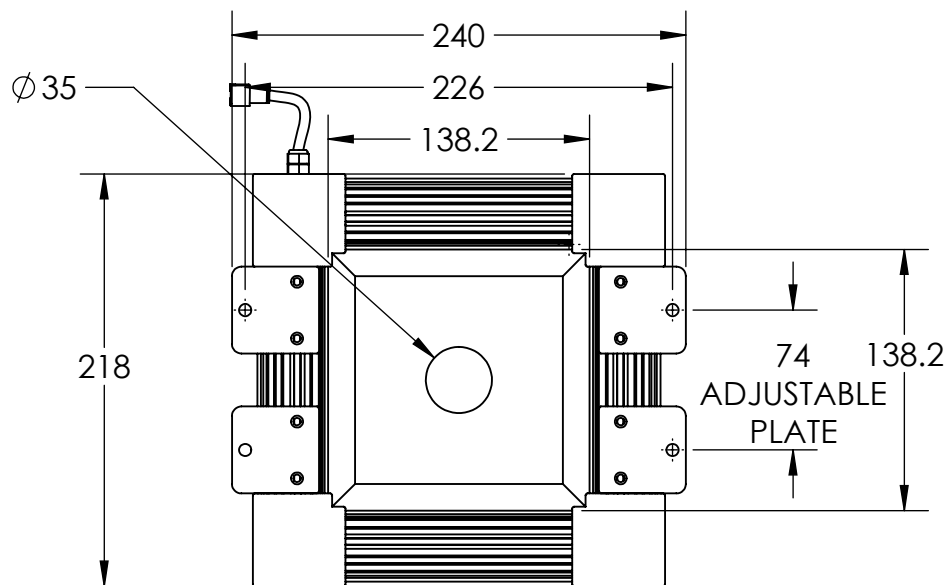
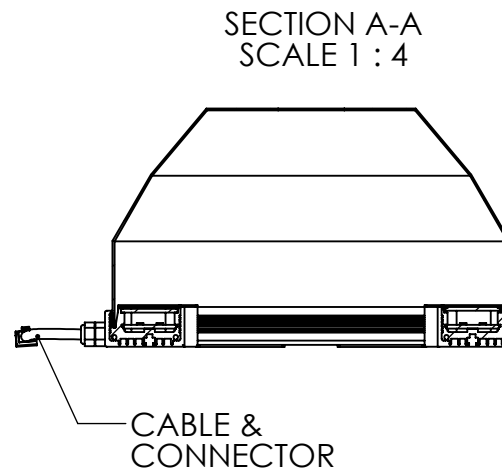
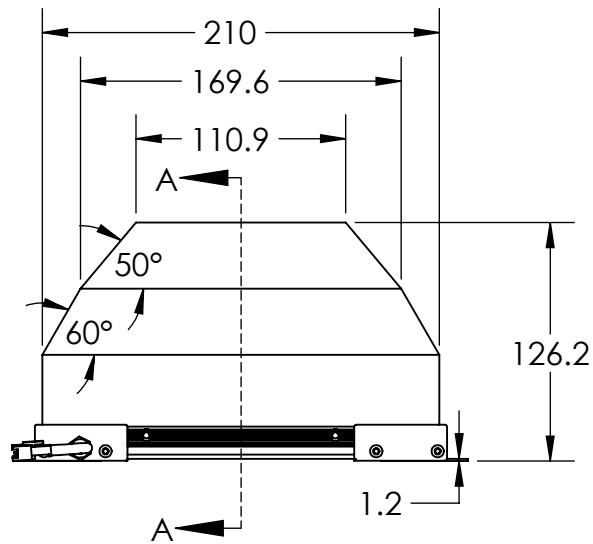


REV.		DESCRIPTIONS	EDIT BY	DATE:(d/m/y)



DESIGN BY	KB TAN	UNIT:	PRODUCT SERIES: DLQ3 SERIES	
CHECK BY	KB TAN	MM		
DATE	15/01/2016	REVISION:	TITLE	DRAWING LAYOUT
MATERIAL	-	01	PART NO	DLQ3-120-X
FINISHING	-	SCALE:	DWG NO	-
QTY	-	1 : 4	SHEET 1 OF 1	