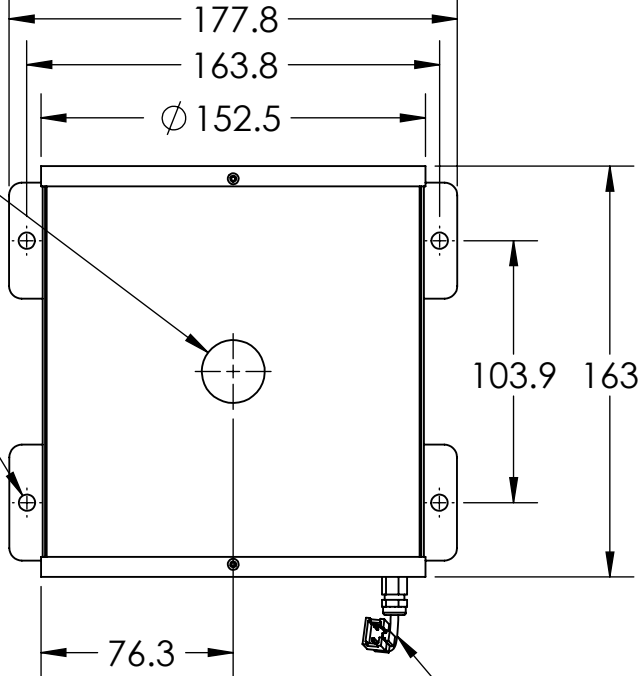


REVISIONS

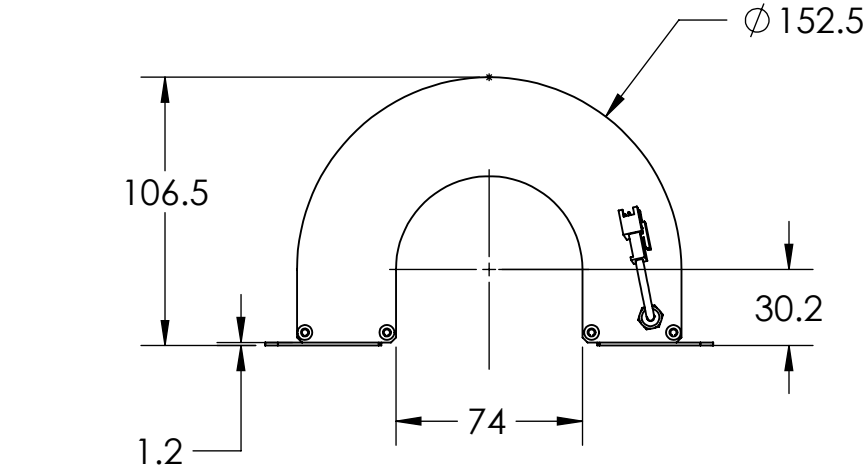
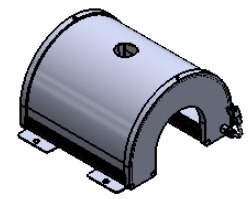
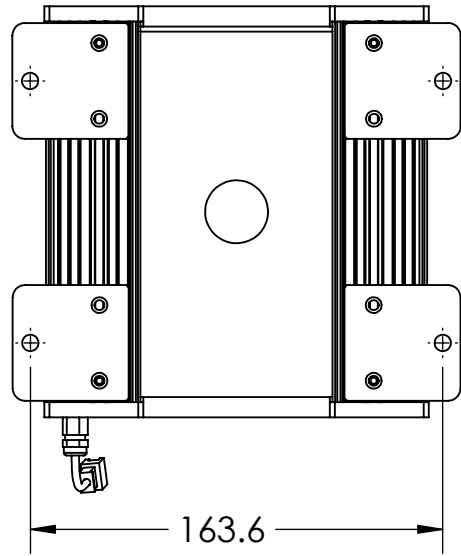
ZONE	REV.	DESCRIPTIONS	DATE	APP.

1 2 3 4 5 6 7 8

Ø 25
4 X Ø 6.5
THRU ALL



BOTTOM SIDE VIEW



DESIGN BY	SL LEE	UNIT:	PRODUCT SERIES: DLT SERIES		
CHECK BY	KB TAN	MM	DRAWING LAYOUT		
DATE	12/1/2016	REVISION:	TITLE	DRAWING LAYOUT	COLOUR: - -
MATERIAL	-	01	PART NO	DLT00-150-1-X	VOLTAGE: - -
FINISHING	-	SCALE:	DWG NO	-	CURRENT: - -
QTY	-	1 : 3			POWER: - -
					SHEET 1 OF 1

1 2 3 4 5 6 7 8

D
C
B
A

D
C
B
A