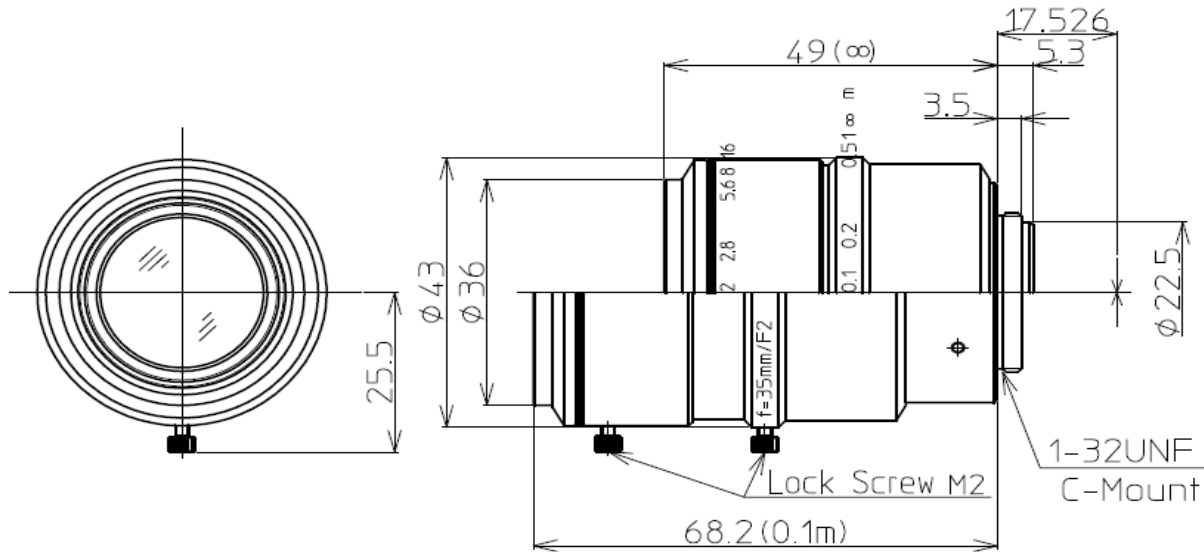


LM35JC10M



2/3" 1.8/35mm C		1/2"	1/3"
FOCAL LENGTH		f=35mm	
MAX. DIAMETER (RATIO)		F=2~16	
ELEMENT		7 ELEMENTS 9 GROUPS	
PICTURE SIZE		6.6x8.8mm	4.8x6.4
ANGLE	VER. ANGLE	10.8°	7.8°
	HOR. ANGLE	14.3°	10.4°
	DIA. ANGLE	17.8°	13.0°
DISTORTION (TV)		0.05%	-
SHOOTING RANGE AT MINIMUM FOCUS DISTANCE	VER.	17.6mm	12.8mm
	HOR.	23.4mm	17.0mm
	DIA.	29.4mm	21.3mm
MINIMUM FOCUS DISTANCE		0.1m	
FLANGE BACK		17.526mm in air	
BACK FOCUS		14.2mm in air	
FILTER SCREW SIZE		M34x0.5	
FRONT/REAR EFFECTIVE DIA.		FRONT ϕ 23.0mm	REAR ϕ 14.5mm
MOUNT		C-MOUNT	
EXIT PUPIL		-25.0	
TEMPERATURE RANGE		-10~+50° C	
STORAGE TEMPERATURE RANGE		-20~+60° C	
RESOLUTION CENTER/CORNER		CENTER 200lp/mm CORNER 160lp/mm	
LENS COATING		WIDE BAND MULTI COATING	
WEIGHT		160 g	