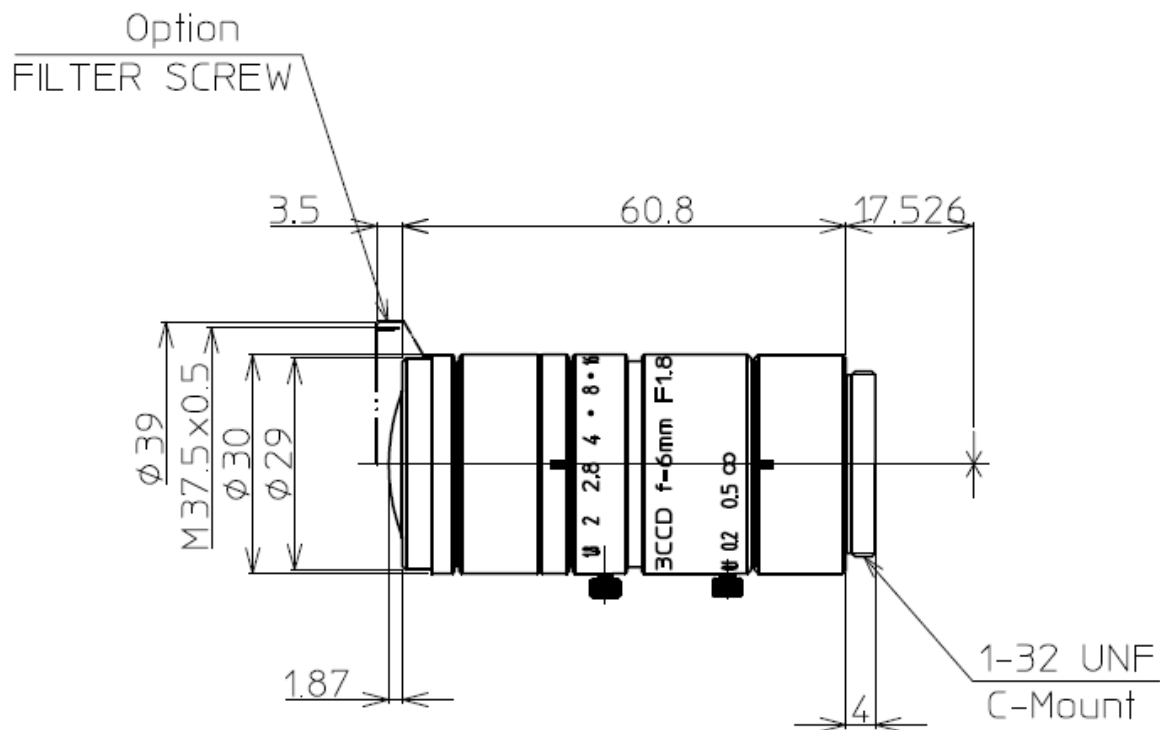


Model: LM6NC3



1/2" 1.8/6mm 3CCD		1/3"
FOCAL LENGTH		f=6.0mm
MAX. DIAMETER (RATIO)		F=1:1.8~16
PICTURE SIZE		6.4x4.8mm
ANGLE	VER. ANGLE	44.9°
	HOR. ANGLE	58.8°
	DIA. ANGLE	71.6°
DISTORTION (TV)		-2.1%
MINIMUM FOCUS DISTANCE		0.1m
FLANGE BACK		17.526 mm in air
BACK FOCUS		15.2mm in air
FILTER SCREW SIZE		Option M37.5x0.5
FRONT/REAR EFFECTIVE DIA.		ø24.0mm ø13.2mm
MOUNT		C-MOUNT
EXIT PUPIL		613mm
TEMPERATURE RANGE		-10~+45° C
STORNG TEMPERATURE RANGE		-40~+60° C
RESOLUTION		120 LP/mm, 100 LP/mm