

STC-172BC Series

The STC-172BC is a 1/2" high resolution CCD machine vision camera. The STC-172BC offers integration HOLD feature for special applications. Also, the STC-172BC offers frame/field integration and accepts non-interlace synchronization.



STC-172BC

Images shown not actual size

Features

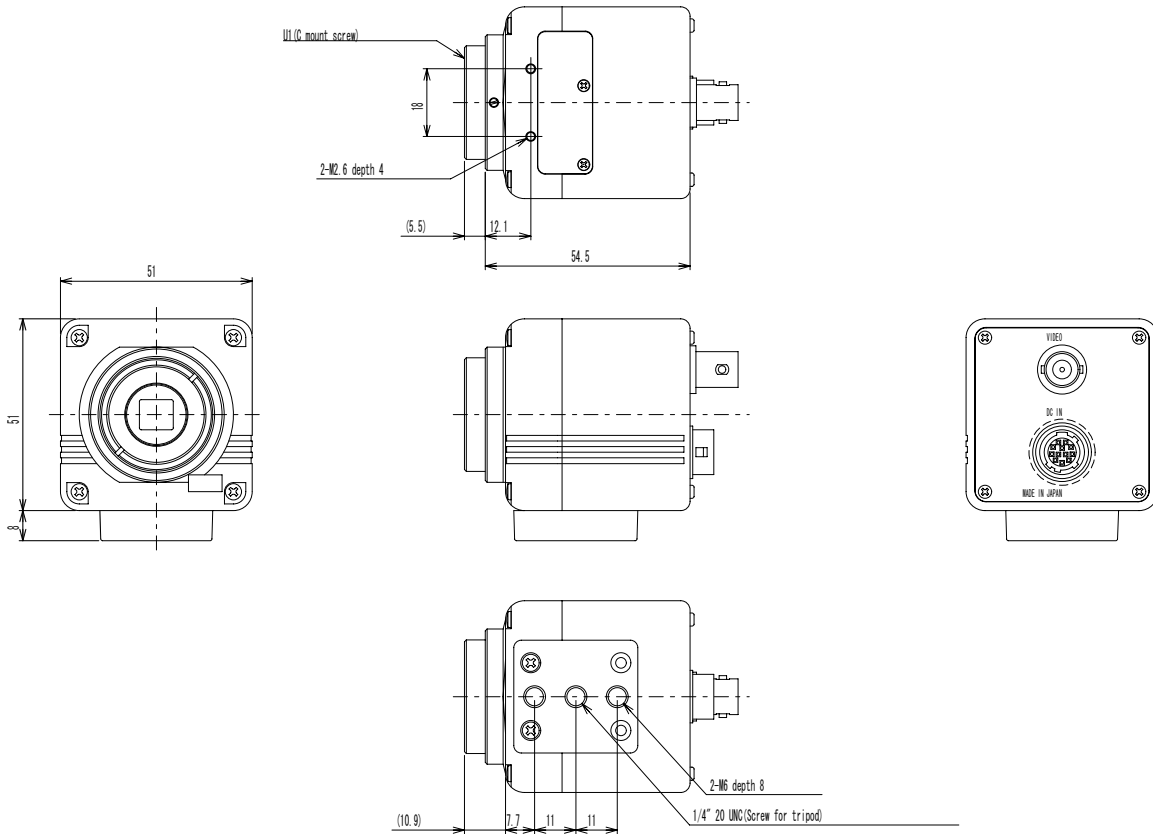
- 1/2" CCD
- Machine Vision
- High Resolution
- Frame/Field Integration
- EIA & CCIR Formats
- Internal or External Sync (HDVD)
- Monochrome
- C-Mount Lens Mount
- HOLD Feature

Specifications >>

Image Sensor:	B/W 1/2" 768 (H) x 494 (V) IT CCD (ICX418ALL)
Scanning System:	2:1 Interlace
Signal Format:	EIA (CCIR Format also Available - STC-177BC)
Horizontal Resolution:	570 TVL
Vertical Resolution:	Frame Accumulation: 485 TVL Field Accumulation: 350 TVL
Horizontal Frequency:	15.734kHz
Vertical Frequency:	59.94 Hz
Gamma:	0.45 or 1.0 switchable
Sync System:	Internal or External (HD/VD)
Gain:	AGC/Fixed Switchable
Minimum Illumination:	0.13 Lux @ F 1.2 (AGC: On)
Minimum Illumination (H Version):	0.02 Lux @ F 1.2 (AGC: On)
Electronic Shutter:	Field: 1/60 (1/50), 1/100 (1/125), 1/500, 1/1000, 1/2000, 1/4000, 1/10,000 Frame: 1/30 (1/25), 1/60 (1/50), 1/100 (1/125), 1/500, 1/1000, 1/2000, 1/4000, 1/10,000
Video Out:	VS 1.0Vp-p 75Ω
S/N Ratio:	>56dB (AGC Off)
Accumulation Mode:	Frame/Field Switchable
Connectors:	12 Pin Hirose & BNC
Lens Mount:	C- Mount
Dimensions:	51 (W) x 51 (H) x 55.5 (D) mm
Power Supply:	10-12V DC
Power Consumption:	110mA
Operating Temperature:	-10°C ~ +45°C (14°F ~ +113°F)
Storage Temperature:	-30°C ~ 60°C (-22°F ~ 140°F)
Dimensions:	51(W) x 51(H) x 60.5(D)mm (2.04" x 2.04" x 2.42")
Weight:	190g (6.7 oz.)

>> STC-172BC

Mechanical Drawings



Note: (Dimensions are given in mm)