

STC-131

The STC-131 is a very small B&W resolution industrial camera. If your application requires an inexpensive reliable B&W camera housed in a very small package, that will also provide repeatable consistent performance, then the STC-131 is the camera which meets your requirements.



STC-131BT

Image shown not actual size

Features

- 1/3" CCD
- Standard Resolution
- Monochrome
- EIA & CCIR Formats
- Electronic or Fixed Shutter
- Internal Sync
- AGC On
- Compact Size (1.6" x 1.6" x 1.8")
- Available in 2 Configurations

Specifications >>

Image Sensor:	Black & White: 1/3" Interline CCD (ICX404AL)
Effective Picture Element:	510 (H) x 492 (V)
Signal Format:	EIA (Also Available in CCIR Format - STC-136)
Scanning System:	2:1 Interlace
Horizontal Frequency:	15.734 kHz
Vertical Frequency:	59.94 Hz
Sync System:	Internal
Horizontal Resolution:	380 TV Lines
Minimum Illumination:	0.05 Lux @ F 1.2, 50 IRE
Minimum Illumination (H Version):	0.03 Lux @ F 1.2, 50 IRE
S/N Ratio:	>48dB (AGC Off)
Gamma:	0.45
Lens Mount:	CS-Mount Lens Mount (C-Mount with adapter)
AGC:	On (0 - 20dB)
Electronic Shutter:	1/60 to 1/100,000 second (Auto Iris)
Fixed Shutter:	1/60
Video Out:	VS 1.0Vp-p 75 Ω
Power Supply:	12V DC
Power Consumption:	100mA
Operating Temperature:	-10°C ~ 45°C (14°F ~ 113°F)
Storage Temperature:	-30°C ~ 60°C (-22°F ~ 140°F)
Dimensions:	40 (W) x 40 (H) x 45 (D) mm (1.6" x 1.6" x 1.8")
Weight:	100g (3.53 oz.)

>> STC-131

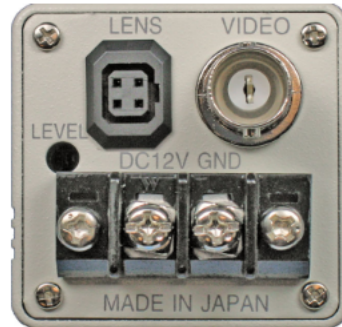
Configurations

BJ Model:

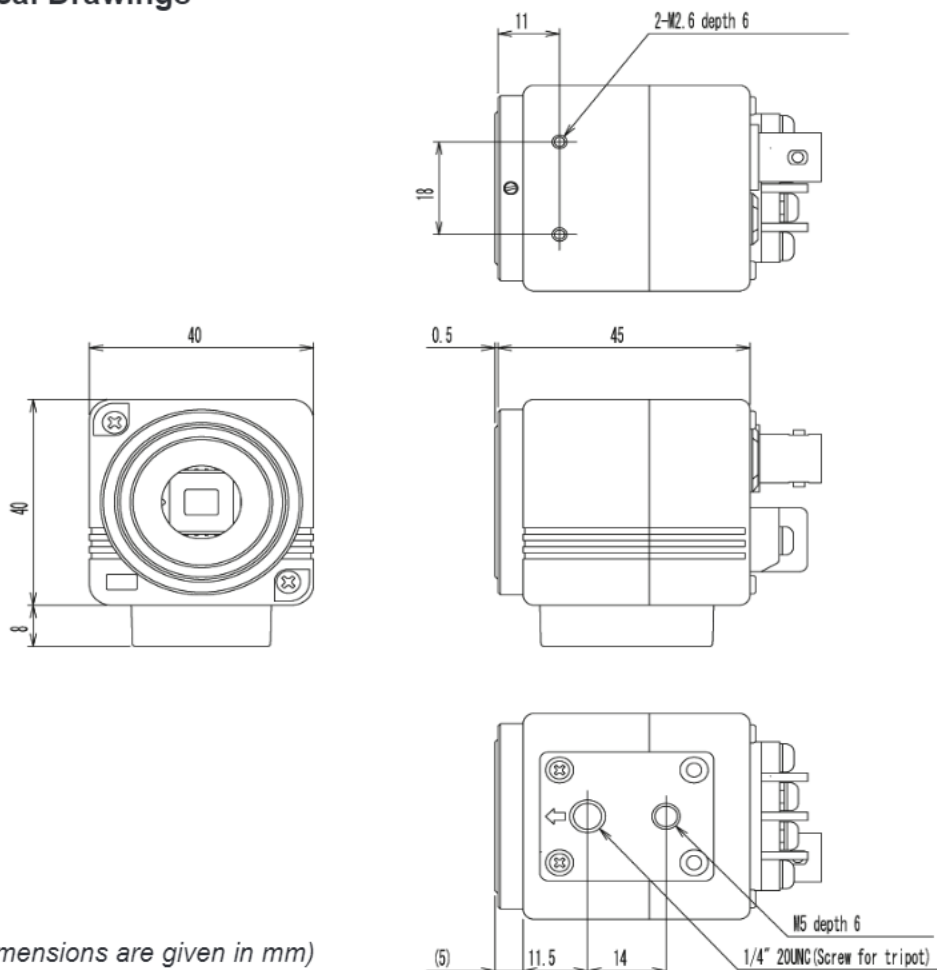
- Video out on BNC
- Jack type power connection (Jack connector included w/ camera)
- Compact size (1.6" x 1.6" x 1.8")
- DC Auto Iris Lens Connector (Not Functional)

BT Model:

- Video out on BNC
- Terminal type power connection
- Compact size (1.6" x 1.6" x 1.8")
- DC Auto Iris Lens Connector (Not Functional)



Mechanical Drawings



Note: (Dimensions are given in mm)