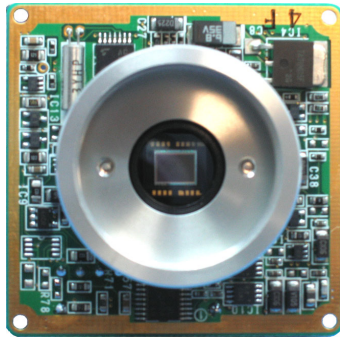
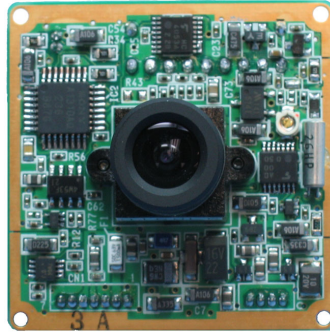


STC-160

The STC-160 Series is a 1/3" high resolution CCD single board machine vision camera. Small in size, this camera series offers many features and functions not found on most board-level cameras. Like most SenTech cameras, the STC-160 series comes in both board level and cased versions.



STC-160CS



STC-H160L6

Images shown not actual size

Features

- Machine Vision Board Camera
- 1/3" B/W High Res IT CCD
- EIA & CCIR Formats Available
- Field Integration
- Internal or External (HD/VD) Sync
- 0.45 or 1.0 Gamma
- Electronic or Fixed Shutter
- AGC On/Off Selectable
- Compact Size (1.8" x 1.8")

Specifications >>

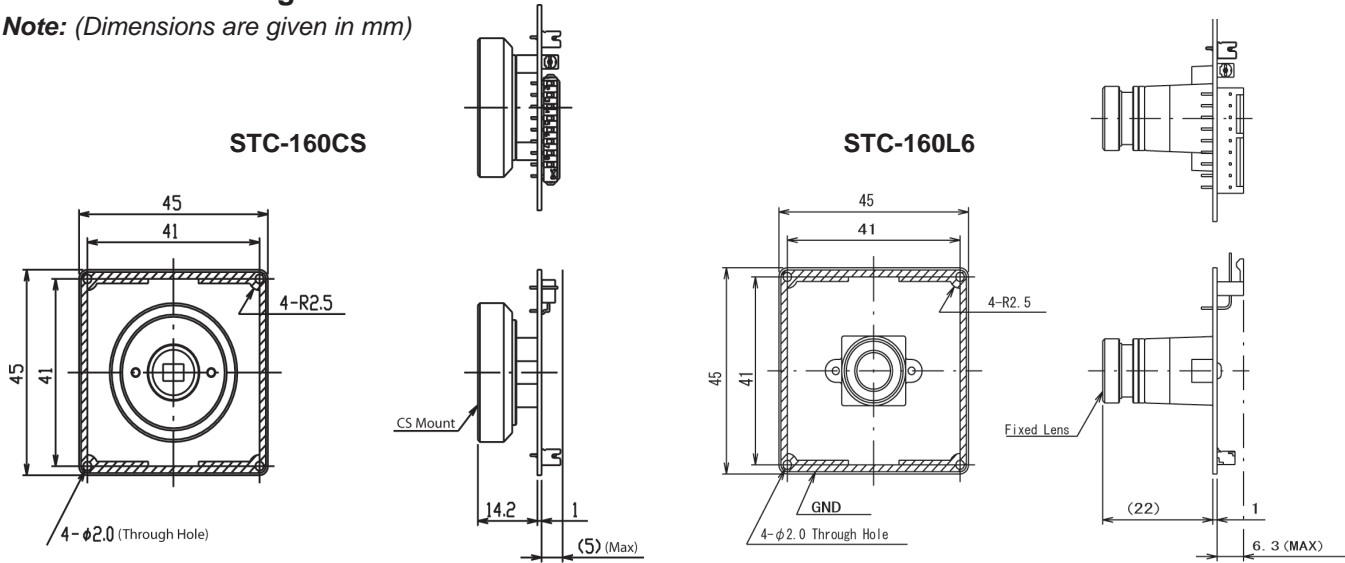
| | |
|--|--|
| Image Sensor: | Black & White: 1/3" Interline CCD (ICX408AL) |
| Effective Picture Element: | 768 (H) x 494 (V) |
| Signal Format: | EIA (Also Available in CCIR Format - STC-165) |
| Scanning System: | 2:1 Interlace |
| Horizontal Frequency: | 15.734 kHz |
| Vertical Frequency: | 59.94 Hz |
| Sync System: | Internal or External (HD/VD Input) Auto Detect |
| Horizontal Resolution: | 570 TV Lines |
| Minimum Illumination (Standard): | 0.07 Lux @ F1.2, (AGC On) 50 IRE |
| Minimum Illumination (H Version): | 0.06 Lux @ F1.2, (AGC On) 50 IRE |
| S/N Ratio: | >56dB (AGC Off) |
| Gamma: | 0.45 or 1 Selectable |
| AGC: | On/Off Selectable |
| Electronic Shutter: | 1/60 to 1/100,000 Second |
| Fixed Shutter: | 1/60, 1/100, 1/250, 1/500, 1/1,000, 1/2,000 1/5,000, 1/10,000, 1/100,000 Second |
| Video Out: | VS 1.0Vp-p, 75 Ω |
| Back Light: | On / Off Selectable |
| Power Supply: | 12V DC |
| Power Consumption: | 135mA |
| Operating Temperature: | -10°C ~ 45°C (14°F ~ 113°F) |
| Storage Temperature: | -30°C ~ 60°C (-22°F ~ 140°F) |
| Dimensions: | 45 (W) x 45 (H) x 14.2 (D) (1.8" x 1.8" x .56") |
| Weight: | 20g (.70 oz.) |

• Seven Lens options available (See Page 2)

>> STC-160CS

Mechanical Drawings

Note: (Dimensions are given in mm)



DIP Switch Setting



1. DIP Switch Designation

| Switch Number | Function | Switch Position | |
|---------------|------------------|-----------------|--------|
| | | OFF | ON |
| 1 | Shutter Mode | See Table 2 | |
| 2 | | | |
| 3 | Shutter Speed | See Table 3 | |
| 4 | | | |
| 5 | Photometric Area | Full Screen | Center |
| 6 | | | |
| 7 | Gain | Fixed | AGC ON |
| 8 | Gamma | 0.45 | 1 |

VR Function

VR1: Fix Gain Control (0-24dB)

(Note) VR1 is active only when the DIP switch No. 7 is "OFF"

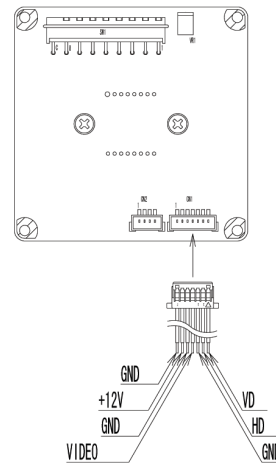
2. Shutter Mode Setting

| Shutter Mode | SW1 | SW2 |
|--------------------------------------|-----|-----|
| Electronic Iris 1/60 - 1/100,000 | OFF | OFF |
| Electronic Iris 1/100 - 1/100,000 | ON | OFF |
| Fixed Shutter See Table 3 | OFF | ON |
| 1/60 | ON | ON |

3. Shutter Speed Setting

| Shutter Speed | SW 3 | SW 4 | SW 5 |
|---------------|------|------|------|
| 1/100,000 | OFF | OFF | OFF |
| 1/10,000 | ON | OFF | OFF |
| 1/5,000 | OFF | ON | OFF |
| 1/2,000 | ON | ON | OFF |
| 1/1,000 | OFF | OFF | ON |
| 1/500 | ON | OFF | ON |
| 1/250 | OFF | ON | ON |
| 1/100 | ON | ON | ON |

Connector and DIP Switch



Lenses Available for Monochrome Board Cameras (Custom Lenses can also be built)

| Model No. | Focal Length (F-Stop) |
|-----------|-----------------------|
| LEN-B2.5 | 2.5mm (F2.0) |
| LEN-B3.6 | 3.6mm (F5.0) |
| LEN-B6 | 6.0mm (F3.5) |
| LEN-B8 | 8.0mm (F3.5) |
| LEN-B16 | 16mm (F1.8) |

Lens Mounts

The CS version of the camera is configured with a standard CS lens mount. By using a C-Mount adapter ring, the CS mount can be converted to a C-Mount. These configurations will allow most CS or C Mount lenses to be used with this camera.