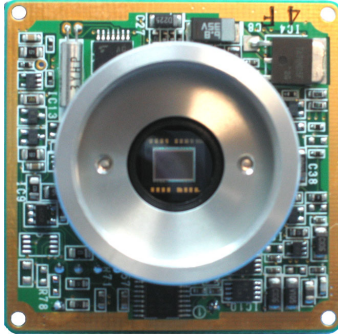
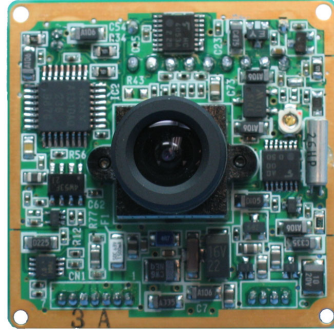


STC-165

The STC-165 Series is a 1/3" high resolution CCD single board machine vision camera. Small in size, this camera series offers many features and functions not found on most board-level cameras. Like most SenTech cameras, the STC-160 series comes in both board level and cased versions.



STC-165CS



STC-H165L6

Images shown not actual size

Features

- Machine Vision Board Camera
- 1/3" B/W High Res IT CCD
- EIA & CCIR Formats Available
- Field Integration
- Internal or External (HD/VD) Sync
- 0.45 or 1.0 Gamma
- Electronic or Fixed Shutter
- AGC On/Off Selectable
- Compact Size (1.8" x 1.8")

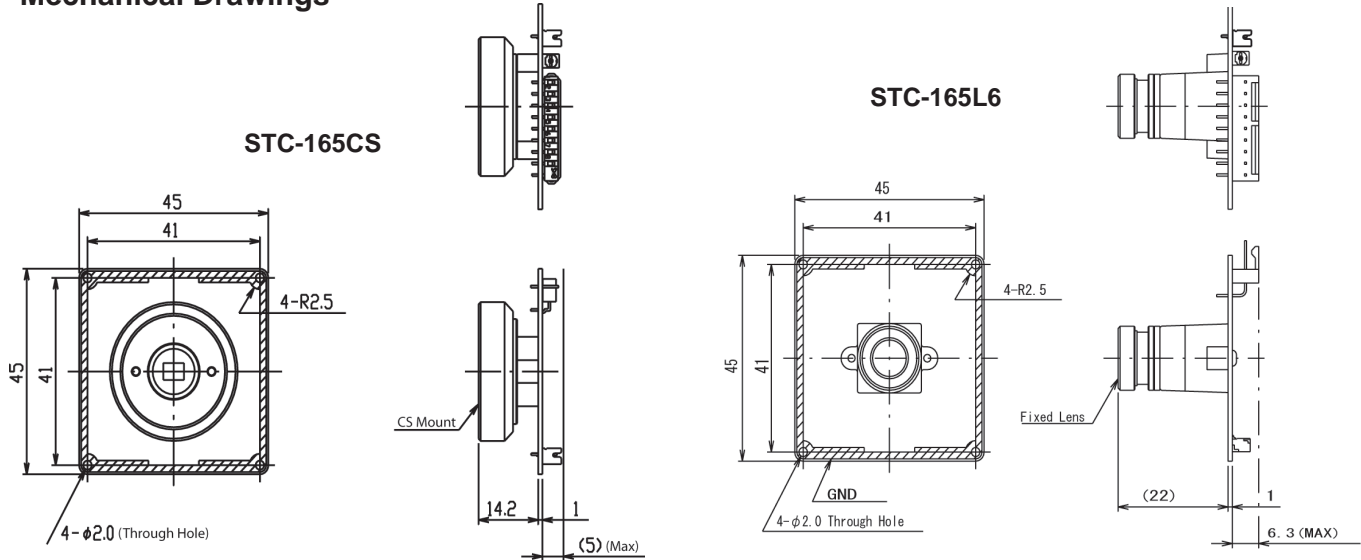
Specifications >>

Image Sensor:	Black & White: 1/3" Interline CCD (ICX409AL)
Effective Picture Element:	752 (H) x 582 (V)
Signal Format:	CCIR (Also Available in EIA Format - STC-160)
Scanning System:	2:1 Interlace
Horizontal Frequency:	15.625 kHz
Vertical Frequency:	50.00 Hz
Sync System:	Internal or External (HD/VD Input) Auto Detect
Horizontal Resolution:	570 TV Lines
Minimum Illumination (Standard):	0.07 Lux @ F1.2, (AGC On) 50 IRE
Minimum Illumination (H Version):	0.06 Lux @ F1.2, (AGC On) 50 IRE
S/N Ratio:	> 56dB (AGC Off)
Gamma:	0.45 or 1 Selectable
AGC:	On/Off Selectable
Electronic Shutter:	1/50 to 1/100,000 second
Fixed Shutter:	1/50, 1/125, 1/250, 1/500, 1/1,000, 1/2,000, 1/5,000, 1/10,000, 1/100,000 second
Video Out:	VS 1.0p-p Ω
Back Light:	On / Off Selectable
Power Supply:	12V DC
Power Consumption:	135mA
Operating Temperature:	-10°C ~ 45°C (14°F ~ 113°F)
Storage Temperature:	-30°C ~ 60°C (-22°F ~ 140°F)
Dimensions:	45 (W) x 45 (H) x 14.2 (D) (1.8" x 1.8" x .56")
Weight:	20g (.70 oz.)

• Seven Lens options available (See Page 2)

>> STC-165

Mechanical Drawings



DIP Switch Setting



Note: (Dimensions are given in mm)

1. DIP Switch Designation

Switch Number	Function	Switch Position	
		OFF	ON
1	Shutter Mode	See Table 2	
2			
3			
4	Shutter Speed	See Table 3	
5			
6	Photometric Area	Full Screen	Center
7	Gain	Fixed	AGC ON
8	Gamma	0.45	1

VR Function

VR1: Fix Gain Control (0-24dB)

(Note) VR1 is active only when the DIP switch No. 7 is "OFF"

2. Shutter Mode Setting

Shutter Mode	SW1	SW2
Electronic Iris 1/50 - 1/100,000	OFF	OFF
Electronic Iris 1/125 - 1/100,000	ON	OFF
Fixed Shutter See Table 3	OFF	ON
1/50	ON	ON

Shutter Speed	SW 3	SW 4	SW 5
1/100,000	OFF	OFF	OFF
1/10,000	ON	OFF	OFF
1/5,000	OFF	ON	OFF
1/2,000	ON	ON	OFF
1/1,000	OFF	OFF	ON
1/500	ON	OFF	ON
1/250	OFF	ON	ON
1/125	ON	ON	ON

Lenses Available for Monochrome Board Cameras (Custom Lenses can also be built)

Model No.	Focal Length (F-Stop)
LEN-B2.5	2.5mm (F2.0)
LEN-B3.6	3.6mm (F5.0)
LEN-B6	6.0mm (F3.5)
LEN-B8	8.0mm (F3.5)
LEN-B16	16mm (F1.8)

Lens Mounts

The CS version of the camera is configured with a standard CS lens mount. By using a C-Mount adapter ring, the CS mount can be converted to a C-Mount. These configurations will allow most CS or C Mount lenses to be used with this camera.