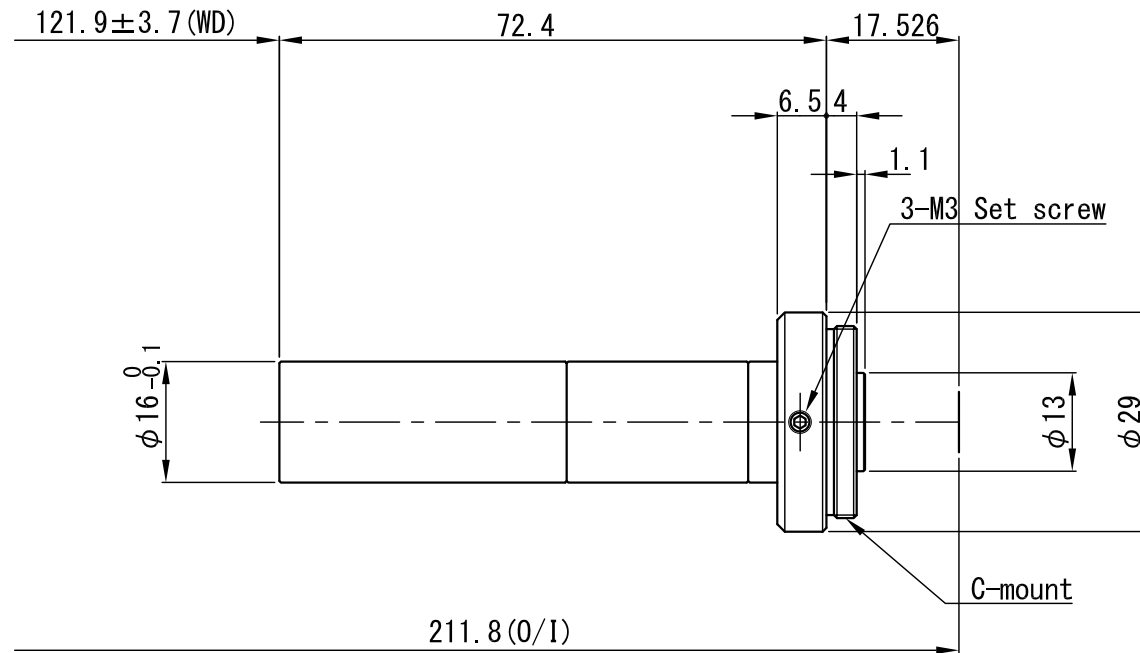


Standard Telecentric Lens

Model		APT08-120			
Optical Mag.		× 0.8 ± 5 %			
FOV (V x H)	2/3"	-			
	1/2"	6.0	×	8.0	mm
	1/3"	4.5	×	6.0	mm
WD		121.9 mm ± 3.7			
O/I (Object & Imager Distance)		211.8 mm			
Working F/#		17.5			
NA		0.023			
DOF at PCoC $\phi$ 0.04mm		2.2 mm			
TV Distortion (1/2")		0.02 %			
Wavelength		Visible			
Mount		C-Mount			
Flange Back		17.526 mm			
Sensor Size (max.)		1/2"			
Co-Axial Prism		-			
Weight (approx.)		35 g			
Dimension		$\phi$ 29 (max.)	×	L =	72.4 mm



△				APPROVED	CHECKED	MATERIAL 材料	-				CHAMFER 一般面取	-	QUANTITY 個数	
△				T. A.	T. A.	TREATMENT 処理	-				FINISHING 仕上	-	-	
△						TREATMENT CONTACT 処理接点	-				DECENTRATION 偏芯	-		
△				DESIGNED	DRAWN	OVER 250 UP TO 1000	±0.3	±0.5	±1.0	±0.2	UNIT (mm)	ANGLE 角度	METHOD 図法	REMARK 適用 (機種名)
△				T. A.	S. K.	OVER 63 UP TO 250	±0.2	±0.3	±0.6	±0.15		-		A P T 0 8 - 1 2 0
△						OVER 16 UP TO 63	±0.1	±0.2	±0.4	±0.1	SCALE	1 / 1	NAME	外 觀 圖
	DATE	EXCH NO.	REVISION 変更記事			OVER 0 UP TO 16	±0.05	±0.1	±0.2	±0.1	DATE	'14.03.12	DRAW NO.	0   D   T   C   0   5   4   2   A   1
				TOLERANCES		A	B	C	S					