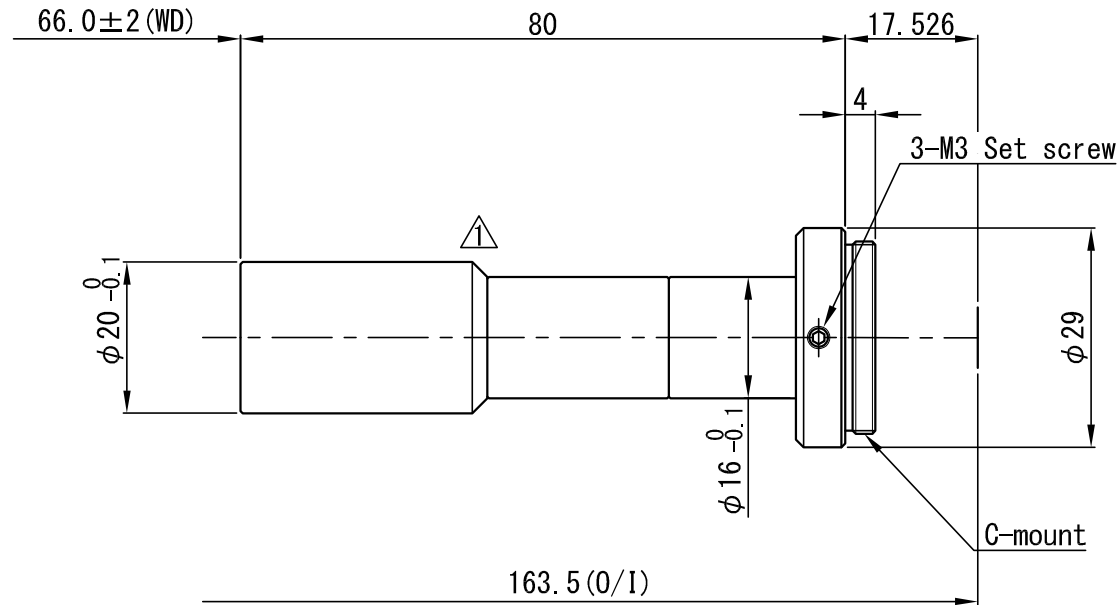


Standard Telecentric Lens

Model		<b>APT08-65</b>			
Optical Mag.		× 0.8 ± 5 %			
FOV (V x H)	1/1.8"	6.8	×	8.9	mm
	1/2"	6.0	×	8.0	mm
	1/3"	4.5	×	6.0	mm
WD		66.0 mm ± 2			
O/I (Object & Imager Distance)		163.5 mm			
Working F/#		9.6			
NA		0.042			
DOF at PCoC $\phi$ 0.04mm		1.2 mm			
TV Distortion (1/1.8")		-0.03 %			
Wavelength		Visible			
Mount		C-Mount			
Flange Back		17.526 mm			
Sensor Size (max.)		1/1.8"			
Co-Axial Prism		-			
Weight (approx.)		42 g			
Dimension		$\phi$ 29 (max.) × L = 80 mm			



△ ×				APPROVED	CHECKED	MATERIAL 材料	-	CHAMFER 一般面取	-	QUANTITY 個数				
△ ×				T. A.	T. A.	TREATMENT 処理	-	FINISHING 仕上	-					
△ ×						TREATMENT CONTACT 処理接点	-	DECENTRATION 偏芯	-					
△ ×				DESIGNED	DRAWN	OVER 250 UP TO 1000	±0.3 ±0.5 ±1.0 ±0.2	ANGLE 角度	METHOD 図法	REMARK 適用 (機種名)				
△ ×				T. T.	T. T.	OVER 63 UP TO 250	±0.2 ±0.3 ±0.6 ±0.15	UNIT (mm)	-	APT08-65				
△ × 1	外觀形状変更	18.03.05	T. T.			OVER 16 UP TO 63	±0.1 ±0.2 ±0.4 ±0.1				SCALE	1 / 1	NAME	外觀図
NO. × 箇所	REVISION 訂正事項	DATE	NAME			OVER 0 UP TO 16	±0.05 ±0.1 ±0.2 ±0.1				DATE	'13.10.04	DRAW NO.	01DTC0526A2
						TOLERANCES	A B C S							